



105 Gear Drive - Shaft Output

Typical Applications: Industrial, Marine or Mobile Equipment

(913) 782-1238 (Tel)
(913) 782-4206 (Fax)
Sales@EskridgeInc.com
www.EskridgeInc.com
FORM: PS105_0509

Performance Ratings

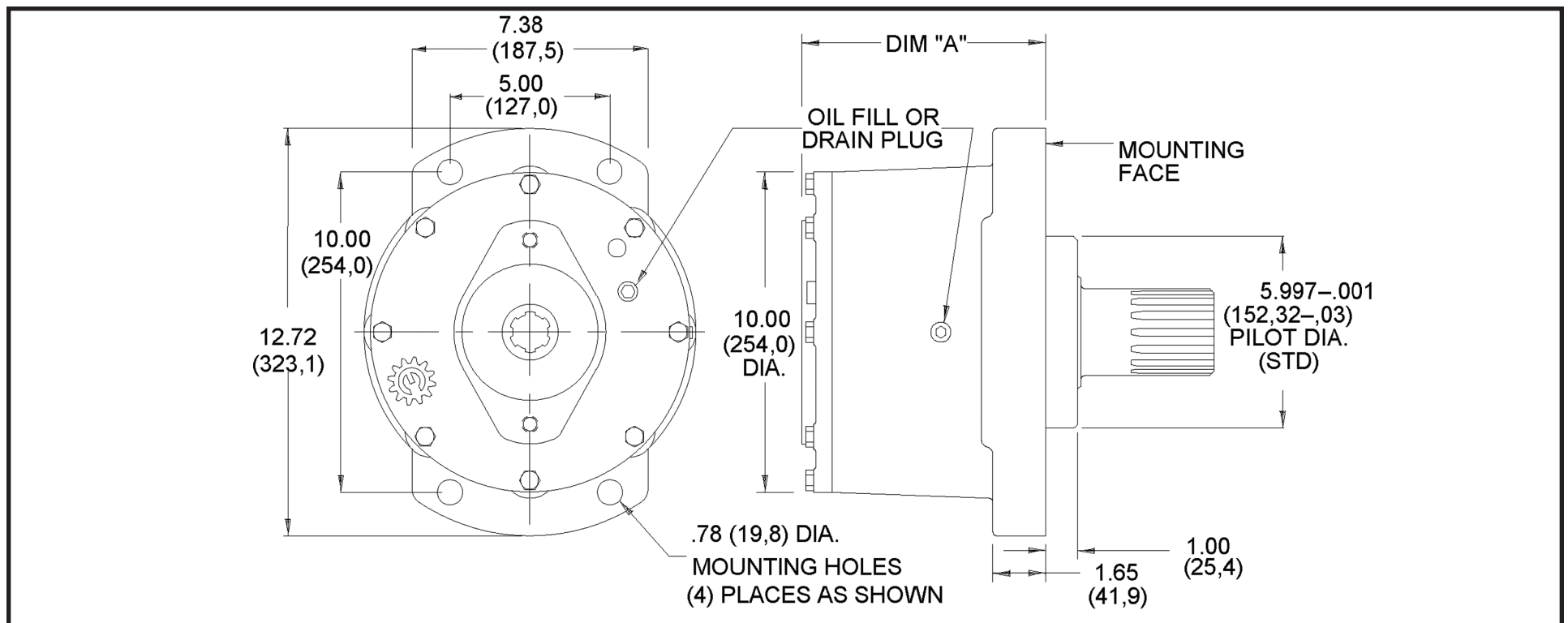
Maximum Intermittent Output Torque	100,000 in-lb (11,300 N-m)
Continuous Output Torque	30,000 in-lb (3,390 N-m)
Peak Torque Rating.....	Consult Eskridge
Maximum Input Speed (No Load).....	3,000 RPM

Consult your Eskridge representative to determine ratings for your specific application or configuration.

General Dimensions for Rectangular Gear Drive Mounting (ordering option 'E')

Other options may be available. See ordering information on last page or contact your Eskridge representative for more details.

Values are shown as "inches (millimeters)." Please see page 2 for Dimension A specifications.





105 Gear Drive - Shaft Output

Typical Applications: Industrial, Marine or Mobile Equipment

(913) 782-1238 (Tel)
 (913) 782-4206 (Fax)
Sales@EskridgeInc.com
www.EskridgeInc.com
 FORM: PS105_0509

Approximate Unit Weight

Double Planetary 180 lbs / 82 kg

Triple Planetary 198 lbs / 90 kg

Dimension "A" Specifications

Input Spline Code	Ratio	Standard Input Mounting		
		SAE 'A'	SAE 'B'	SAE 'C'
2, 3, 5	19, 26, 36	8.09 (205.5)	8.04 (204.2)	8.34 (211.8)
4	19, 26	8.34 (211.8)	8.34 (211.8)	8.34 (211.8)
4	36	9.59 (243.6)	9.59 (243.6)	9.59 (243.6)
All	33, 45	9.59 (243.6)	9.59 (243.6)	9.59 (243.6)

Oil Capacities

Position	Quantity	
	Double Planetary	Triple Planetary
Vertical	2.50 pts (1.2 L)	3.00 pts (1.4 L)
Horizontal	2.25 pts (1.1 L)	2.75 pts (1.3 L)

All units are shipped dry (without oil).

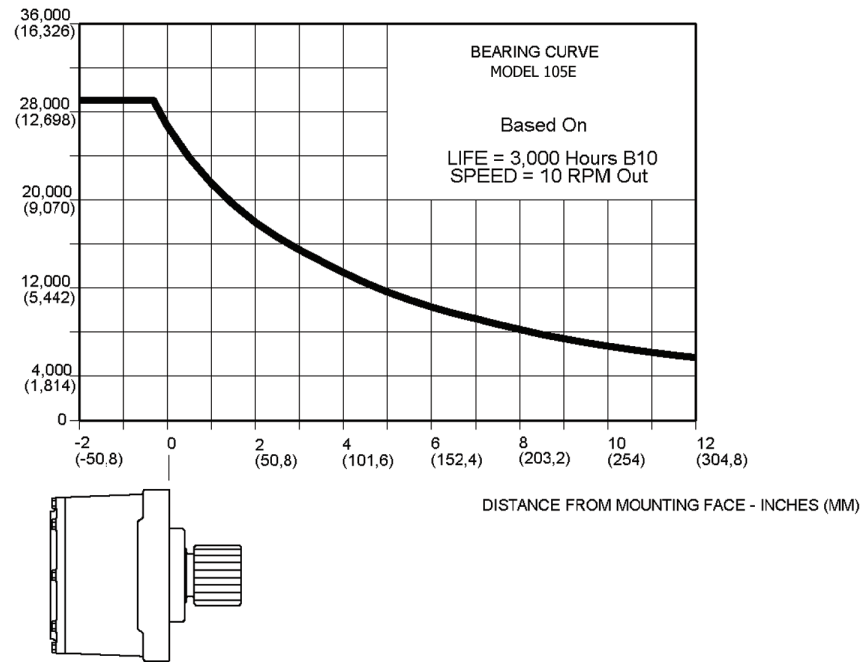


105 Gear Drive - Shaft Output

Typical Applications: Industrial, Marine or Mobile Equipment

(913) 782-1238 (Tel)
(913) 782-4206 (Fax)
Sales@EskridgeInc.com
www.EskridgeInc.com
FORM: PS105_0509

Bearing Curve



To adjust for loads and speeds other than those shown on above curve, use this formula:

$$\text{Adjusted Life (hours)} = 3000 \left(\frac{10\text{rpm}}{\text{Speed(Adjusted)}} \right) \times \left(\frac{\text{Load (Curve)}}{\text{Load (Adjusted)}} \right)^{10/3}$$

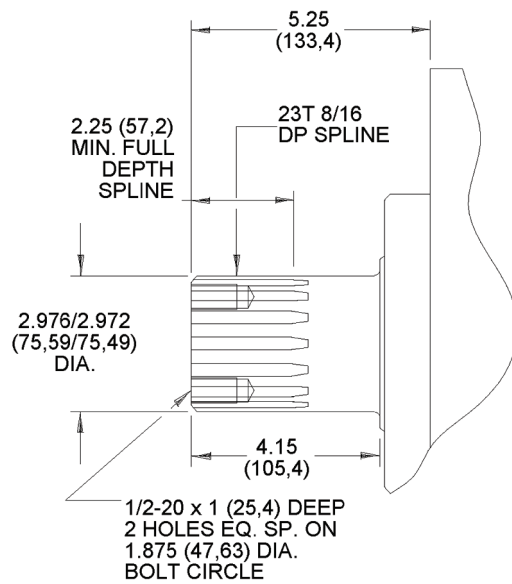


105 Gear Drive - Shaft Output

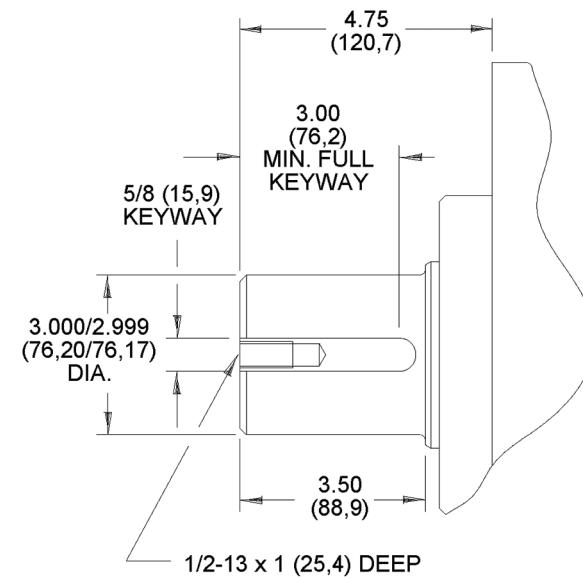
Typical Applications: Industrial, Marine or Mobile Equipment

(913) 782-1238 (Tel)
(913) 782-4206 (Fax)
Sales@EskridgeInc.com
www.EskridgeInc.com
FORM: PS105_0509

Output Shaft Options *Values are shown as "inches (millimeters)"*



**D1 - 23T
8/16 DP Spline**



**D2 - 3.00" Dia. x
5/8" Key**



105 Gear Drive - Shaft Output

Typical Applications: Industrial, Marine or Mobile Equipment

(913) 782-1238 (Tel)
 (913) 782-4206 (Fax)
Sales@EskridgeInc.com
www.EskridgeInc.com
 FORM: PS105_0509

Ordering Information

Example Part Number: 105ED2B2-36

Model*	Gear Drive Mounting	Output Shaft	Input Mounting	Input Spline	Ratio	Options
105	<div style="border: 1px solid black; width: 60px; height: 40px; margin: 0 auto;"></div> <p>E - Rectangular EQ - Quick Eccentric C - Custom</p>	<div style="border: 1px solid black; width: 60px; height: 40px; margin: 0 auto;"></div> <p>D1 - 23T 8/16 DP Spline D2 - 3.00" Dia x 5/8" Key C1 - Custom Shaft <i>See Hubs & Pinions technical bulletin for details.</i></p>	<div style="border: 1px solid black; width: 60px; height: 40px; margin: 0 auto;"></div> <p>A - SAE "A" (2 & Modified 4 Bolt) B - SAE "B" (2 Bolt) C - SAE "C" (2 & 4 Bolt) <i>See input mounting technical bulletin for details.</i></p>	<div style="border: 1px solid black; width: 60px; height: 40px; margin: 0 auto;"></div> <p>2 - 13T 16/32 DP Spline 3 - SAE 1"-6B Spline 4 - 14T 12/24 DP Spline 5 - 15T 16/32 DP Spline <i>Verify motor shaft compatibility with factory</i></p>	<div style="border: 1px solid black; width: 60px; height: 40px; margin: 0 auto;"></div> <p><i>Double Planetary</i> 19 - 19.54:1 26 - 26.52:1 36 - 36.00:1 <i>Triple Planetary</i> 86 - 86.35:1 117 - 117.21:1 147 - 146.59:1 159 - 159.12:1 199 - 198.95:1 216 - 216.00:1 270 - 270.00:1 <i>Higher ratios are available. Consult your Eskridge representative.</i></p>	<div style="border: 1px solid black; width: 60px; height: 40px; margin: 0 auto;"></div> <p>Z - Grease Zerk <i>Required for pinion-up applications</i> R - Rotated Cover <i>Followed by the number of cover bolt-holes to rotate Counter-Clockwise. (example: R2 would mean rotate cover 90 deg CCW).</i></p>

*Model 105 replaces the Model 100 gearbox; note that external dimensions and order options are similar between the 105 and 100 Model boxes. Please consult Eskridge for further information.