



1400 Wheel Drive

Typical Applications: Industrial, Marine or Mobile Equipment

(913) 782-1238 (Tel)
 (913) 782-4206 (Fax)
Sales@EskridgeInc.com
www.EskridgeInc.com
 FORM: PS1400W_0508
 Page 1 of 5

Performance Ratings

Maximum Intermittent Output Torque 1,400,000 in-lb (158,000 N-m)
 Continuous Output Torque 700,000 in-lb (79,000 N-m)
 Peak Torque Rating..... Consult Eskridge
 Maximum Input Speed (No Load)..... 4,000 RPM

Consult your Eskridge representative to determine ratings for your specific application or configuration.

General Dimensions for Flanged (ordering option 'A') base

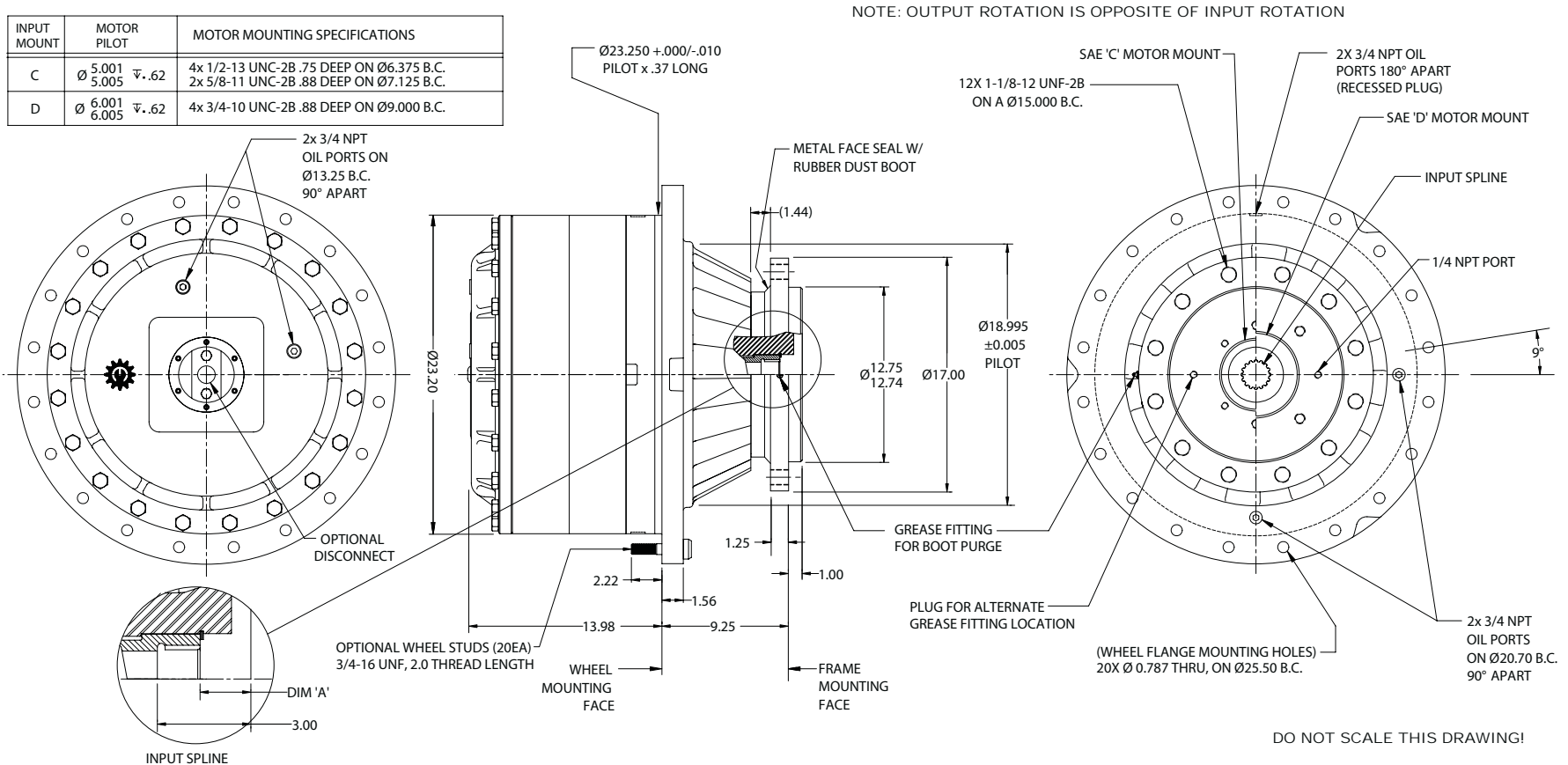
Other options may be available. See ordering information on last page or contact your Eskridge representative for more details.

Values are shown as "inches (millimeters)."

Dimension "A" Specifications

Input Mounting	Input Spline				
	14T 12/24 DP <i>(code 3)</i>	14T 12/24 DP <i>(code 4)</i>	17T 12/24 DP	16T 8/16 DP	13T 8/16 DP
A	.67 (17)	1.36 (34.5)	1.63 (41.4)	1.63 (41.4)	1.63 (41.4)
F	.67 (17)	1.36 (34.5)	1.63 (41.4)	1.63 (41.4)	1.63 (41.4)
C	Consult Eskridge				

INPUT MOUNT	MOTOR PILOT	MOTOR MOUNTING SPECIFICATIONS
C	Ø 5.001 5.005 ▽.62	4x 1/2-13 UNC-2B .75 DEEP ON Ø6.375 B.C. 2x 5/8-11 UNC-2B .88 DEEP ON Ø7.125 B.C.
D	Ø 6.001 6.005 ▽.62	4x 3/4-10 UNC-2B .88 DEEP ON Ø9.000 B.C.



DO NOT SCALE THIS DRAWING!



1400 Wheel Drive

Typical Applications: Industrial, Marine or Mobile Equipment

(913) 782-1238 (Tel)
 (913) 782-4206 (Fax)
Sales@EskridgeInc.com
www.EskridgeInc.com
 FORM: PS1400W_0508
 Page 2 of 5

Performance Ratings

Maximum Intermittent Output Torque 1,400,000 in-lb (158,000 N-m)
 Continuous Output Torque 700,000 in-lb (79,000 N-m)
 Peak Torque Rating..... Consult Eskridge
 Maximum Input Speed (No Load)..... 4,000 RPM

Consult your Eskridge representative to determine ratings for your specific application or configuration.

General Dimensions for Flangeless (ordering option 'F') base

Other options may be available. See ordering information on last page or contact your Eskridge representative for more details.

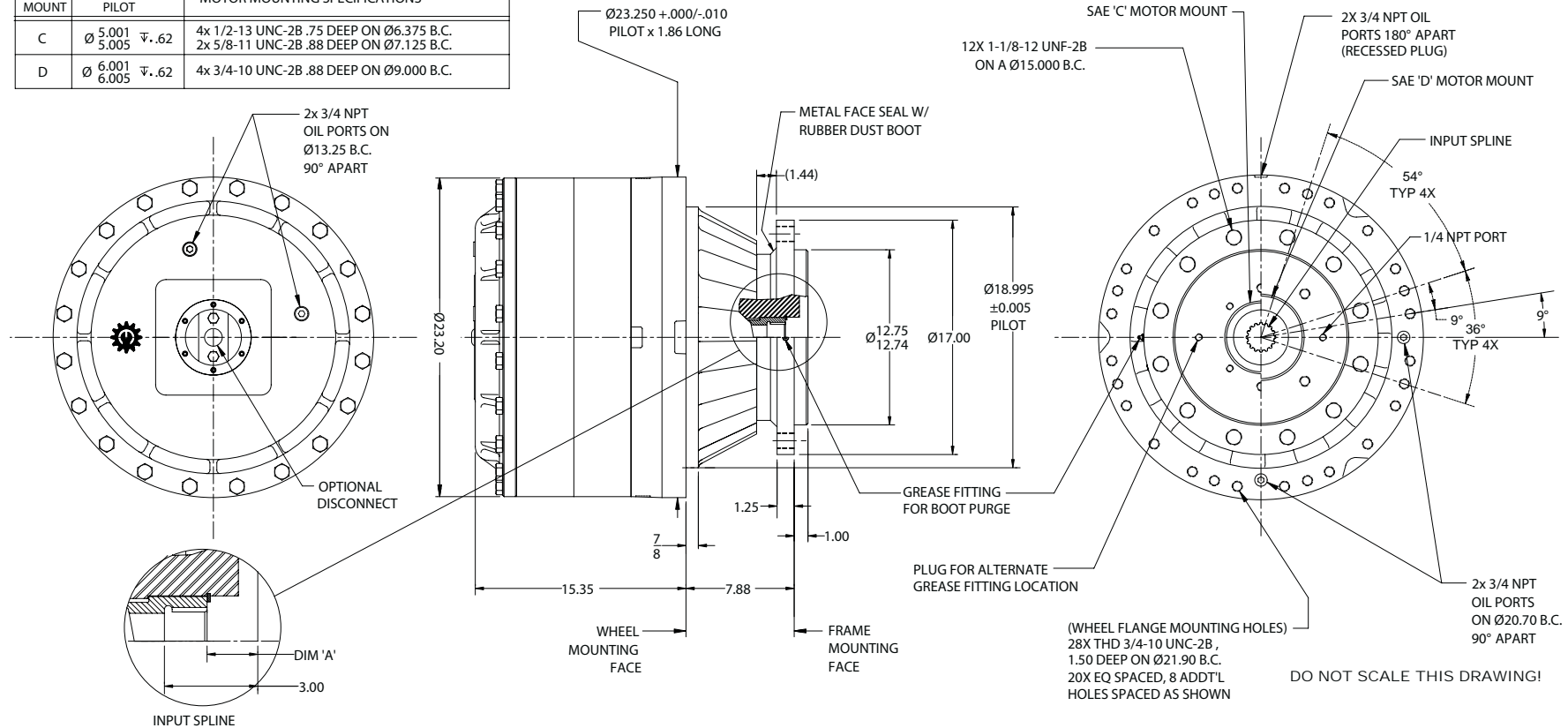
Values are shown as "inches (millimeters)."

Dimension "A" Specifications

Input Mounting	Input Spline				
	14T 12/24 DP (code 3)	14T 12/24 DP (code 4)	17T 12/24 DP	16T 8/16 DP	13T 8/16 DP
A	.67 (17)	1.36 (34.5)	1.63 (41.4)	1.63 (41.4)	1.63 (41.4)
F	.67 (17)	1.36 (34.5)	1.63 (41.4)	1.63 (41.4)	1.63 (41.4)
C	Consult Eskridge				

INPUT MOUNT	MOTOR PILOT	MOTOR MOUNTING SPECIFICATIONS
C	Ø 5.001 5.005 ∇ .62	4x 1/2-13 UNC-2B .75 DEEP ON Ø6.375 B.C. 2x 5/8-11 UNC-2B .88 DEEP ON Ø7.125 B.C.
D	Ø 6.001 6.005 ∇ .62	4x 3/4-10 UNC-2B .88 DEEP ON Ø9.000 B.C.

NOTE: OUTPUT ROTATION IS OPPOSITE OF INPUT ROTATION





1400 Wheel Drive

Typical Applications: Industrial, Marine or Mobile Equipment

(913) 782-1238 (Tel)
 (913) 782-4206 (Fax)
Sales@EskridgeInc.com
www.EskridgeInc.com
 FORM: PS1400W_0508
 Page 3 of 5

Performance Ratings

Maximum Intermittent Output Torque 1,400,000 in-lb (158,000 N-m)
 Continuous Output Torque 700,000 in-lb (79,000 N-m)
 Peak Torque Rating..... Consult Eskridge
 Maximum Input Speed (No Load)..... 4,000 RPM

Consult your Eskridge representative to determine ratings for your specific application or configuration.

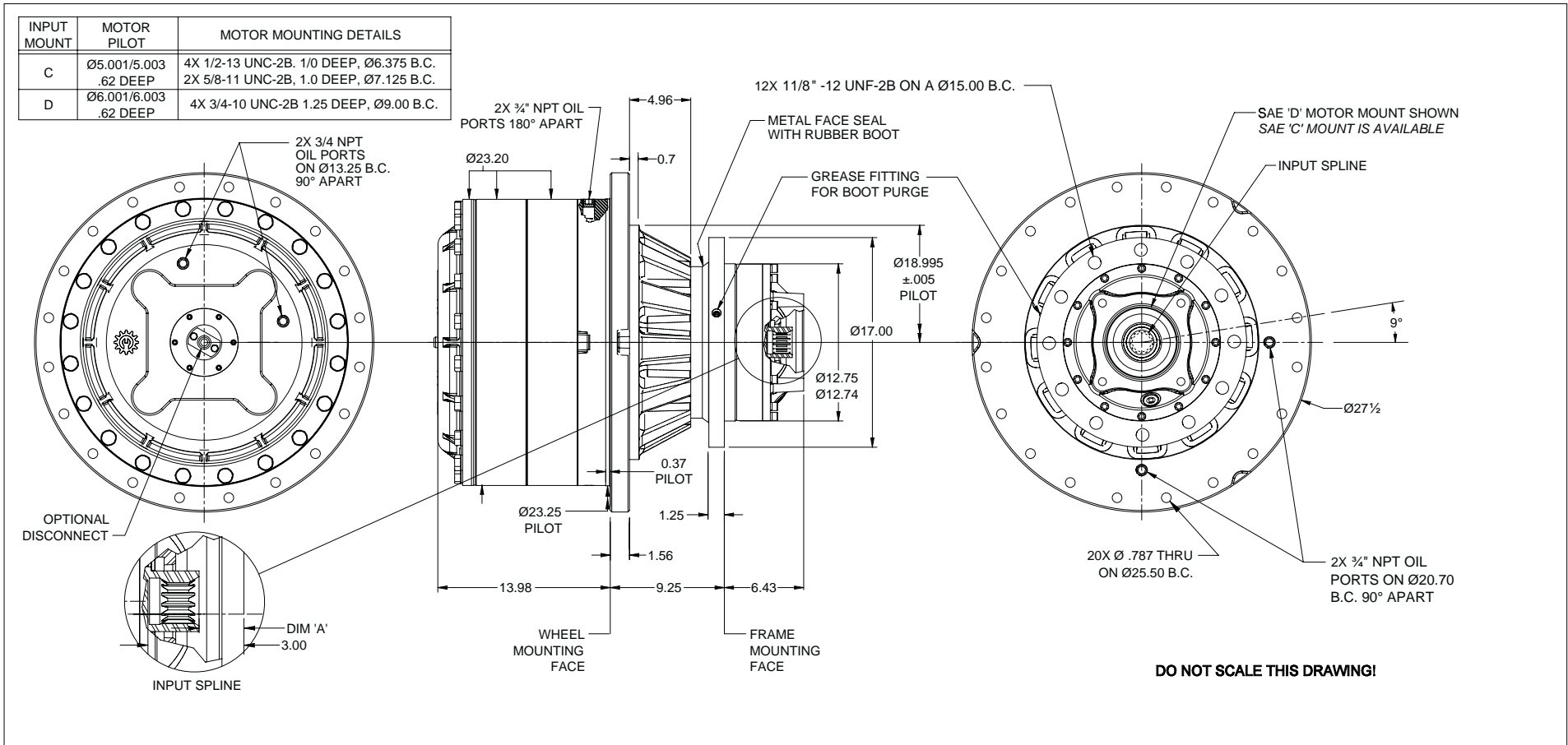
General Dimensions for Flanged (ordering option 'A') base, triple planetary

Other options are available. See ordering information on last page or contact your Eskridge representative for more details.

Values are shown as "inches (millimeters)."

Dimension "A" Specifications

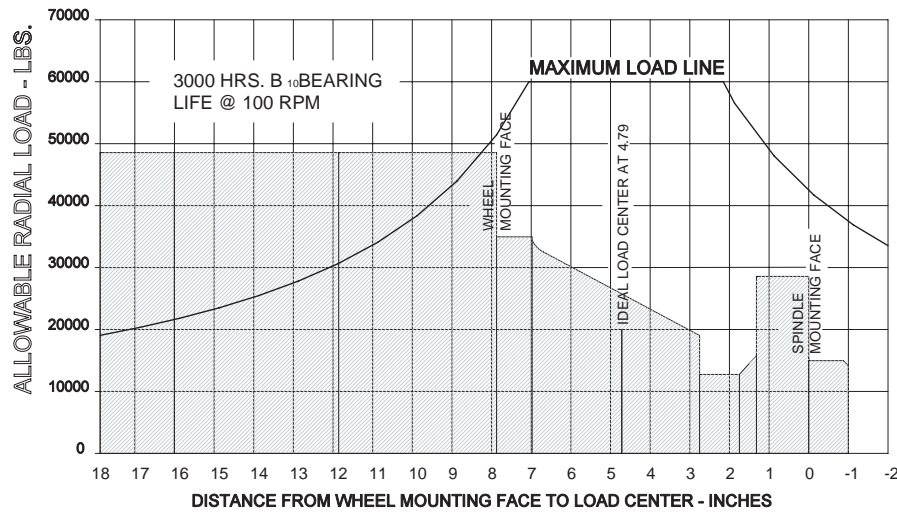
Input Mounting	Input Spline/Motor mount		
	SAE 'C'	SAE 'D'	
	14T 12/24	14T 12/24	13T 8/16
Standard (A,R & F)	.95"	.95"	.95"
Custom (C)	Consult Eskridge		





Bearing Curve

SHAFT BEARING CURVE



Approximate Unit Weight

1,375 - 1,450 lbs / 624 - 658 kg

Oil Capacities

Position	Quantity
Vertical	9.50 gal. / 36 L
Horiz.	5.00 gal / 19 L

All units are shipped dry (without oil).

To adjust for loads and speeds other than those shown on above curve, use this formula:

$$\text{Adjusted Life (hours)} = 3000 \left(\frac{100\text{rpm}}{\text{Speed(Adjusted)}} \right) \times \left(\frac{\text{Load (Curve)}}{\text{Load (Adjusted)}} \right)^{10/3}$$



1400 Wheel Drive

Typical Applications: Industrial, Marine or Mobile Equipment

(913) 782-1238 (Tel)
 (913) 782-4206 (Fax)
Sales@EskridgeInc.com
www.EskridgeInc.com
 FORM: PS1400W_0508
 Page 5 of 5

Ordering Information

Example Part Number: 1400LAW1C9-40-D

Model	Shaft Retention	Wheel Flange	Frame (Spindle) Mount	Input Spline	Ratio	Options
1400	L					
	<p>L - Load-N-Lock™ Patented shaft retention system <i>See shaft retention technical bulletin for details.</i></p>		<p>W1C - 17"Dia. Spindle 12x 1 1/8 12 UNF - 2B SAE 'C' (2 and 4 Bolt) W1D - 17"Dia. Spindle 12x 1 1/8 12 UNF - 2B SAE 'D' (4 Bolt) C1 - Custom Frame/Spindle</p>		<p>Double Planetary 25 - 25.48:1 40 - 40.41:1 *Triple Planetary 110 - 109.9:1 143 - 142.9:1 160 - 160.5:1 174 - 174.3:1 218 - 218.4:1 227 - 226.7:1 248 - 248.3:1 338 - 337.8:1</p> <p><i>Other ratios may be available. Consult your Eskridge representative.</i></p>	
		<p>A - Round Flange Bolt circle: 20 Holes 0.81" on 25.50" dia. F - Flangeless Bolt circle: 28* Holes 3/4-10 thread on 21.90" dia. C - Custom</p>		<p>3** - 14T 12/24 DP 4 - 14T 12/24 DP 7* - 17T 12/24 DP 8* - 16T 8/16 DP 9 - 13T 8/16 DP</p>		<p>D - Disconnect S - Wheel studs 3/4-16 ('A' flange only)</p>
		<p>*Note: 20 Holes equally spaced, 8 additional holes required to achieve full 1.4M clamping force between wheel drive and wheel.</p>		<p>Verify motor shaft compatibility with factory *double planetary only **Code 3 input is for 14t shafts extending 2.20" or more from mounting flange. This option is available w/ double planetary only.</p>		<p>*dimensional details available upon request</p>