



65 Gear Drive - Shaft Output

Typical Applications: Industrial, Marine or Mobile Equipment Swing Drives

(913) 782-1238 (Tel)
(913) 782-4206 (Fax)
Sales@EskridgeInc.com
www.EskridgeInc.com
FORM: PS65_0509
Page 1 of 5

Performance Ratings

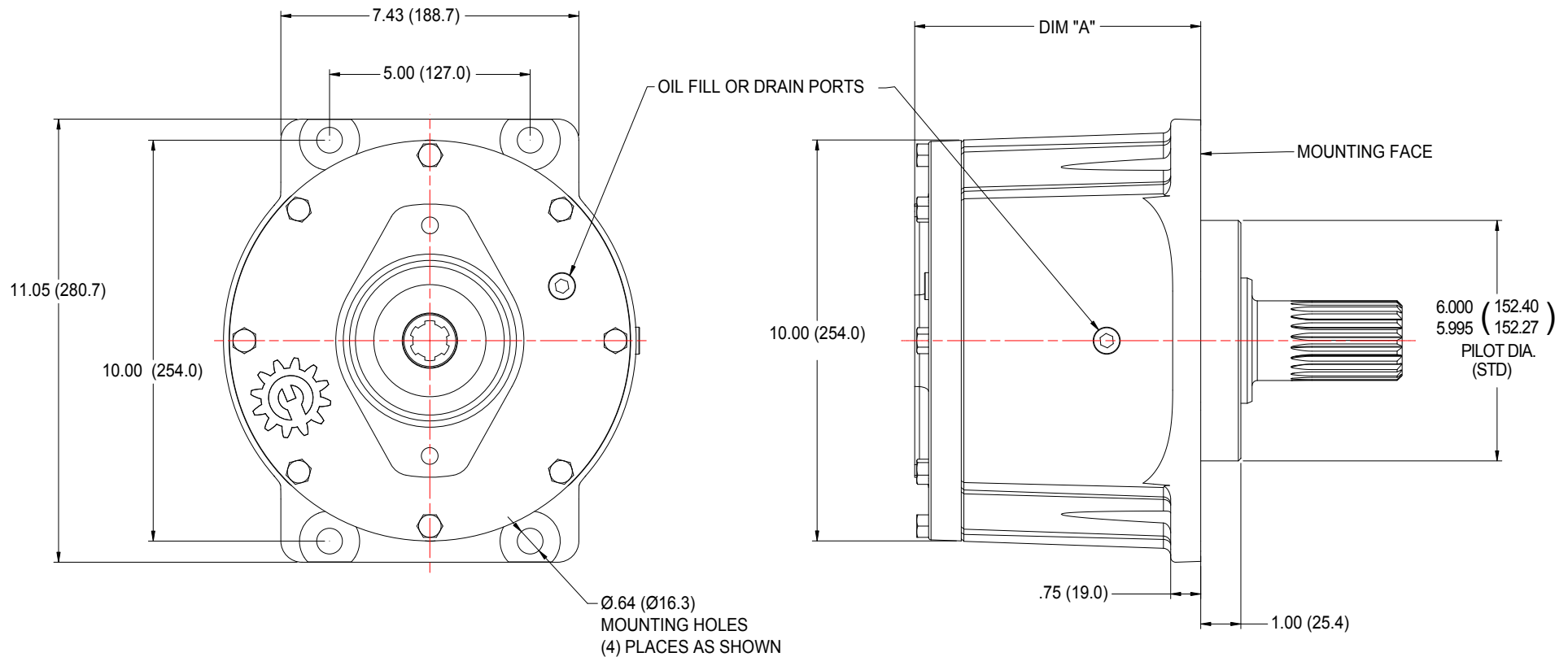
Maximum Intermittent Output Torque	65,000 in-lb (7,345 N-m)
Continuous Output Torque	30,000 in-lb (3,390 N-m)
Peak Torque Rating.....	Consult Eskridge
Maximum Input Speed (No Load).....	3,000 RPM

Consult your Eskridge representative to determine ratings for your specific application or configuration.

General Dimensions for Rectangular Gear Drive Mounting (ordering option 'E')

Other options may be available. See ordering information on last page or contact your Eskridge representative for more details.

Values are shown as "inches (millimeters)."





65 Gear Drive - Shaft Output

Typical Applications: Industrial, Marine or Mobile Equipment Swing Drives

(913) 782-1238 (Tel)
 (913) 782-4206 (Fax)
Sales@EskridgeInc.com
www.EskridgeInc.com
 FORM: PS65_0509
 Page 2 of 5

Approximate Unit Weight

Double Stage: 115 lbs / 52 kg
 Triple Stage: 133 lbs / 60 kg

Oil Capacities

Position	Quantity	
	Double Stage	Triple Stage
<i>Vertical</i>	3.25 pts (1.4 L)	4.5 pts (2.1 L)
<i>Horizontal</i>	2.75 pts (1.3 L)	3.5 pts (1.7 L)

All units are shipped dry (without oil).

Dimension "A" Specifications

Ratios 19:1, 26:1 & 36:1 (excluding 36:1 w/14T input)

Input Mounting	Input Spline			
	13T 16/32	1.00"-6B	14T 12/24 <i>Not including 36:1</i>	15T 16/32
A	7.19 (182.6)	7.19 (182.6)	7.44 (189.0)	7.19 (182.6)
B	7.14 (181.4)	7.14 (181.4)	7.44 (189.0)	7.14 (181.4)
C	7.44 (189.0)	7.44 (189.0)	8.69 (220.7)	7.44 (189.0)

Dimension "A" Specifications

Ratios 33:1, 45:1 (also 36:1 with 14T input)

Input Mounting	Input Spline			
	13T 16/32	1.00"-6B	14T 12/24 <i>36:1 included here</i>	15T 16/32
A	8.69 (220.7)	8.69 (220.7)	8.69 (220.7)	8.69 (220.7)
B	8.69 (220.7)	8.69 (220.7)	8.69 (220.7)	8.69 (220.7)
C	8.69 (220.7)	8.69 (220.7)	8.69 (220.7)	8.69 (220.7)

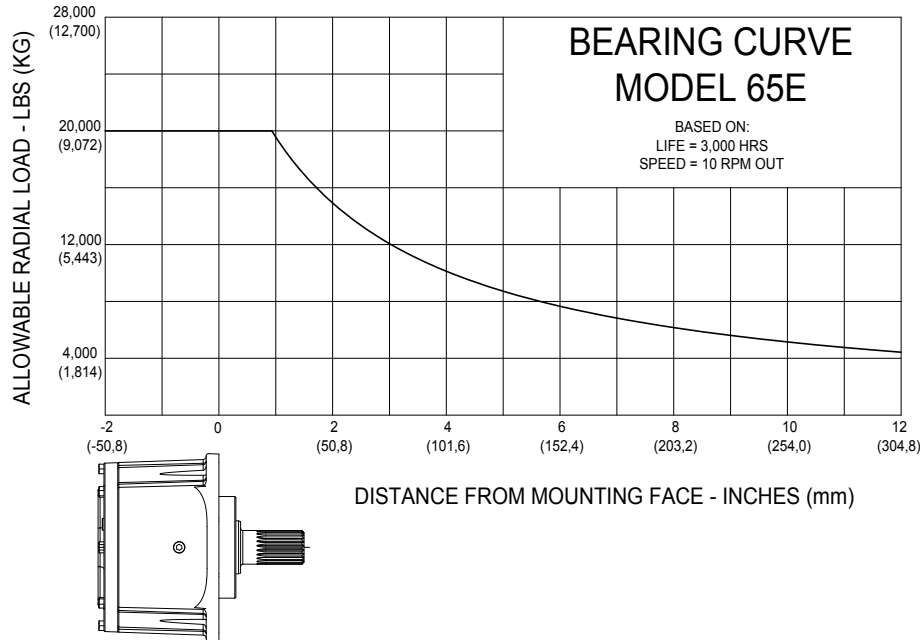


65 Gear Drive - Shaft Output

Typical Applications: Industrial, Marine or Mobile Equipment Swing Drives

(913) 782-1238 (Tel)
 (913) 782-4206 (Fax)
 Sales@EskridgeInc.com
 www.EskridgeInc.com
 FORM: PS65_0509
 Page 3 of 5

Bearing Curve

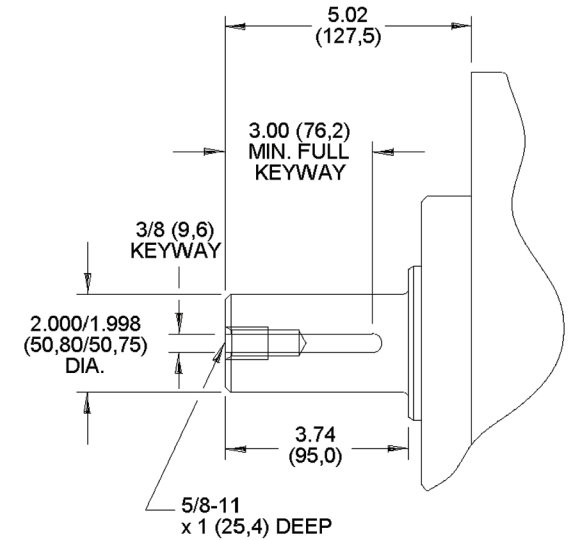


To adjust for loads and speeds other than those shown on above curve, use this formula:

$$\text{Adjusted Life (hours)} = 3000 \left(\frac{10\text{rpm}}{\text{Speed(Adjusted)}} \right) \times \left(\frac{\text{Load (Curve)}}{\text{Load (Adjusted)}} \right)^{10/3}$$

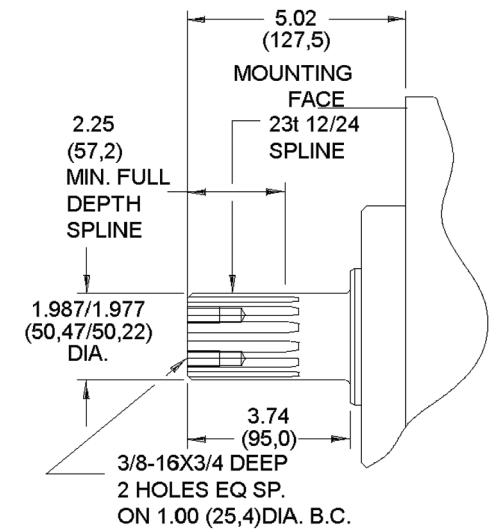
Output Shaft Options Values are shown as "inches (millimeters)"

D1 - 2.00" Dia. x 3/8" Key



**D2 - 23T
12/24 DP Spline**

See Hubs & Pinions
 technical bulletin for details
 on mating parts.



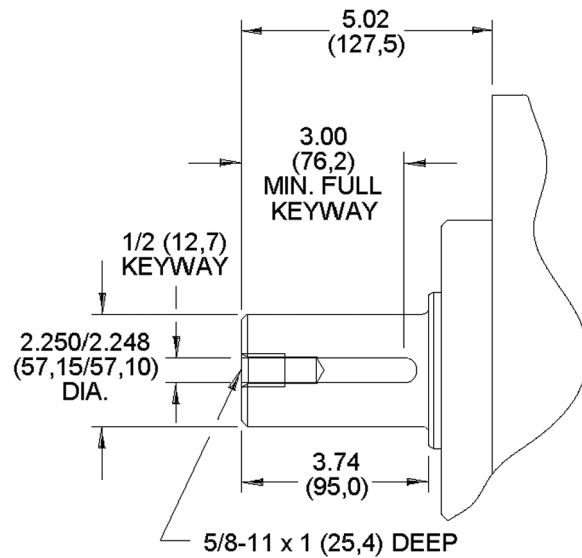


65 Gear Drive - Shaft Output

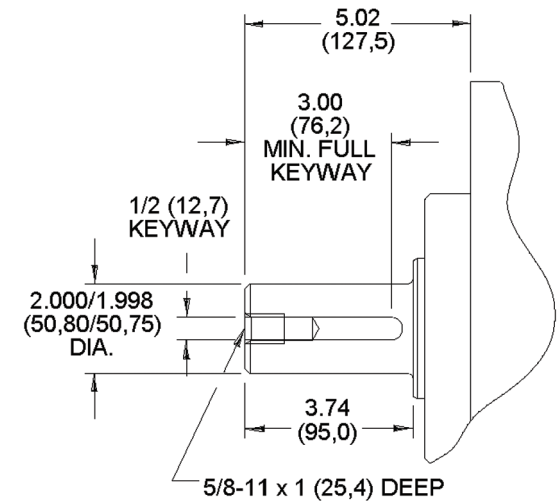
Typical Applications: Industrial, Marine or Mobile Equipment Swing Drives

(913) 782-1238 (Tel)
(913) 782-4206 (Fax)
Sales@EskridgeInc.com
www.EskridgeInc.com
FORM: PS65_0509
Page 4 of 5

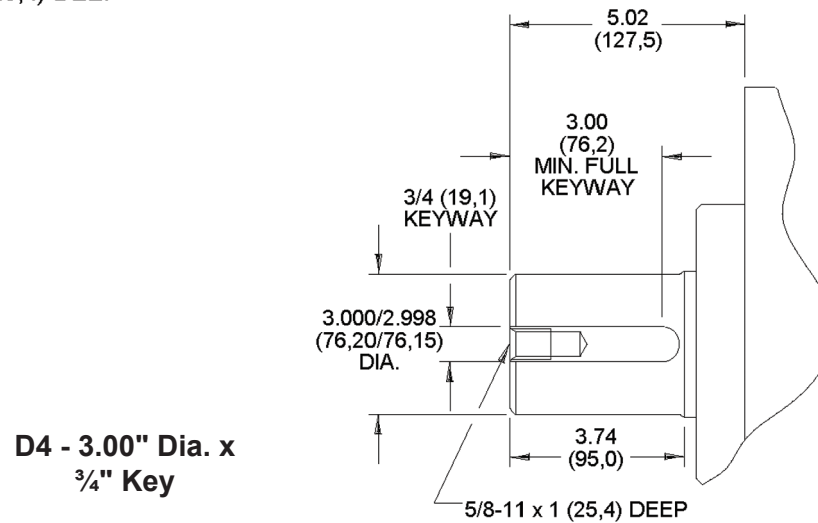
Output Shaft Options Values are shown as "inches (millimeters)"



**D3 - 2.25" Dia. x
1/2" Key**



**D5 - 2.00" Dia. x
1/2" Key**



**D4 - 3.00" Dia. x
3/4" Key**



65 Gear Drive - Shaft Output

Typical Applications: Industrial, Marine or Mobile Equipment Swing Drives

(913) 782-1238 (Tel)
(913) 782-4206 (Fax)
Sales@EskridgeInc.com
www.EskridgeInc.com
FORM: PS65_0509
Page 5 of 5

Ordering Information

Example Part Number: 65ED1A2-36

