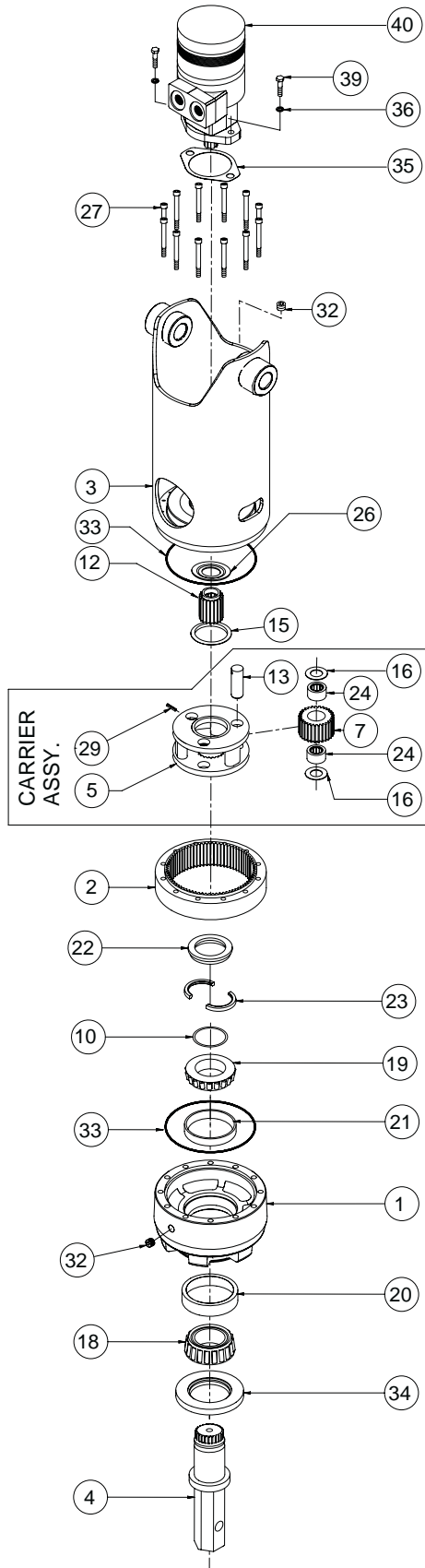


Single Stage Exploded View Drawing



ESKRIDGE

MODEL D50

WITH INTEGRAL BAIL

EFFECTIVE FROM: S/N 79406 03-05-08 TO: (CURRENT)		SINGLE PLANETARY	
DESCRIPTION		RATIO	
ITEM	QTY.	PART NUMBER	
1	1	50-004-3303	
2	1	50-004-1033	
3	1	50-005-2142	
3	1	50-005-2132	
4	1	50-004-4082L	
5	1	50-004-1052	
6	-	-	
7	3	85-004-1041	
8	-	-	
10	*	50-004-1521	
11	-	-	
12	1	85-004-1262	
13	3	71-004-0121	
14	-	-	
15	1	50-004-1011	
16	6	85-004-1181	
17	-	-	
18	1	01-102-0140	
19	1	01-102-0150	
20	1	01-103-0130	
21	1	01-103-0140	
22	1	50-004-1462	
23	1	50-004-1452	
24	6	01-105-0010	
25	-	-	
26	1	50-004-1091	
27	12	01-150-1830	
29	3	01-153-0210	
30	-	-	
32	2	01-207-0070	
33	2	01-402-0560	
34	1	01-405-0530	
35	1	90-004-1081	
36	2	01-166-0030	
39	2	01-150-0090	
40	1	01-304-0550	
40	1	01-304-0540	

NOTES: * BEARING PRELOAD DETERMINES QUANTITY OF SHIMS.

SEAL KIT (P/N 85-016-0601) INCLUDES (2 EA.) O-RINGS AND (1 EA.) SEAL.

XD50LD1-AA / DATE: 03-04-2008