

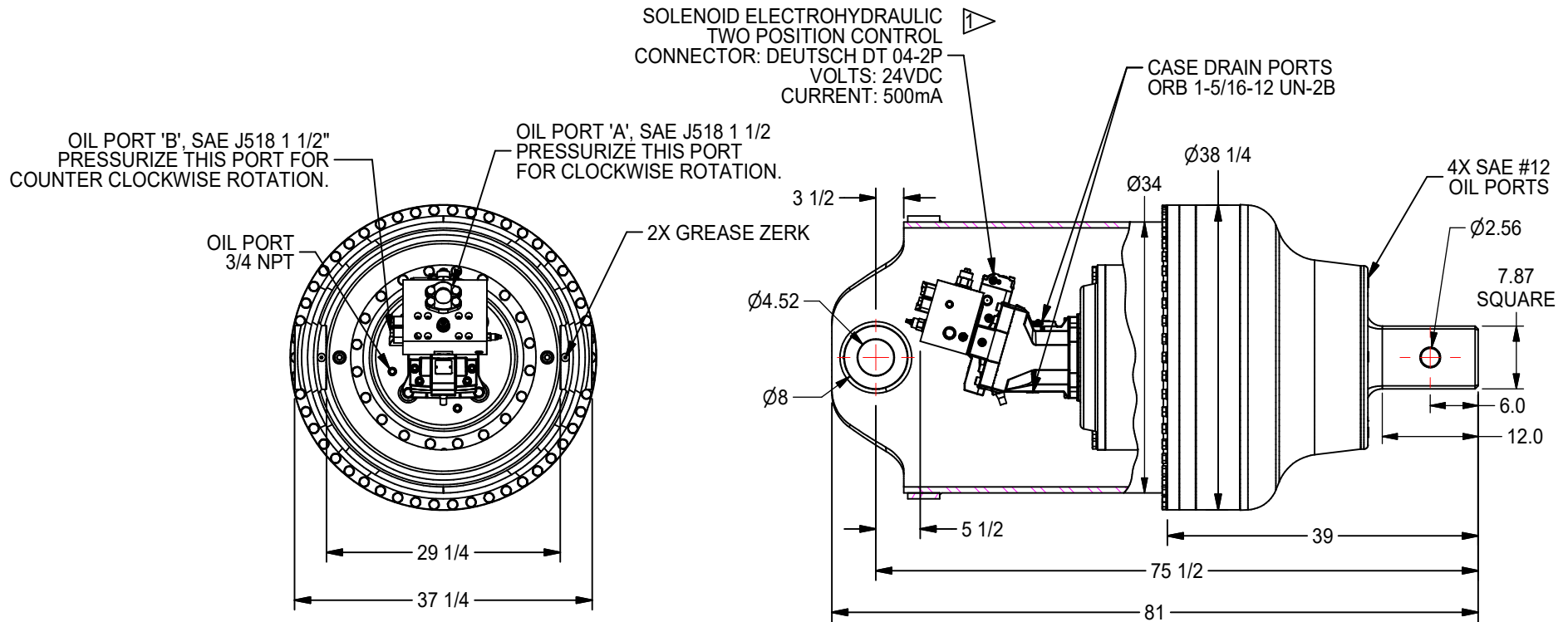


DH250 SERIES DRIVE HEAD

250,000 ft-lb (339,000 N-m) Maximum
Typical Applications: Utility and Construction Industries

(913) 782-1238 (Tel)
(913) 782-4206 (Fax)
Sales@Eskridgeinc.com
www.Eskridgeinc.com
FORM: PSDH250-BC

Page 1 of 3



NOTES: ▷

1. MOTOR DEFAULTS TO MAXIMUM DISPLACEMENT (LOW SPEED). ACTIVATE SOLENOID FOR MINIMUM DISPLACEMENT (HIGH SPEED).
2. VALUES ARE SHOWN IN INCHES.



DH250 SERIES DRIVE HEAD

250,000 ft-lb (339,000 N-m) Maximum
Typical Applications: Utility and Construction Industries

(913) 782-1238 (Tel)
(913) 782-4206 (Fax)
Sales@Eskridgeinc.com
www.Eskridgeinc.com
FORM: PSDH250-BC

Page 2 of 3

Performance Ratings

Maximum Intermittent Output Torque: 250,000 ft-lb (339,000 N-m)
Shaft Pressure Load: 275,000 lb (124,740 Kg)
Shaft Pullout Load: 275,000 lb (124,740 Kg)
*Shaft Side loading Not Recommended
Maximum Input Speed: 4,000 RPM
Maximum Operating Ambient Temperature: 110°F (43°C)
Minimum Operating Ambient Temperature: -20°F (-28°C)

Consult your Eskridge representative to determine ratings for your specific application or configuration

Oil Capacities

DH250
27 GALLONS
102.2 LITERS

ALL UNITS WITH MOTORS SHIPPED WITH OIL
Use EP or API GL-5 Designated Lubricants

Ordering Information

Example Part Number: 375334-85F104BP

MODEL	OUTPUT SHAFT	BAIL BOSS	MOTOR SUPPLIER	MOTOR PART NUMBER	OPTIONS
<input type="text" value="250334"/> —	<input type="text" value="8"/>	<input type="text" value="5"/>	<input type="text" value="F"/>	<input type="text" value="122"/>	<input type="text" value="BP"/>
250- 334:1 GEAR RATIO	8- 7.87" SQUARE	5- Ø4 1/2	F- FACTORY U- USER	122- 217CC	BP- Back Spin Protection

Motor Mount Dimensions

PILOT DIMENSIONS	BOLT CIRCLE
SAE 'E' Ø6.501/6.505 ∇ .75	4X 3/4-10 UNC-2B ∇ 1 ON Ø12.500 B.C.

Motor Specifications:

Type: Two Speed Bent Axis Piston Motor
Displacement: 217 CC Maximum, 115 CC Minimum
Maximum Pressure: 5000 PSIG (345 Bar)
Maximum High Speed Flow: 105 GPM (435 LPM)
Maximum Low Speed Flow: 150 GPM (530 LPM)
Motor Case Drain Required
Before Operation the Motor Must be Filled with Hydraulic Oil.
Speed Control: Electro-Hydraulic Solenoid (Energized High Speed)
Safety Control: Anti-Spin Back and Pressure Protection System

Approximate Unit Weight

With Motor: 7,100 lb (3220 kg)



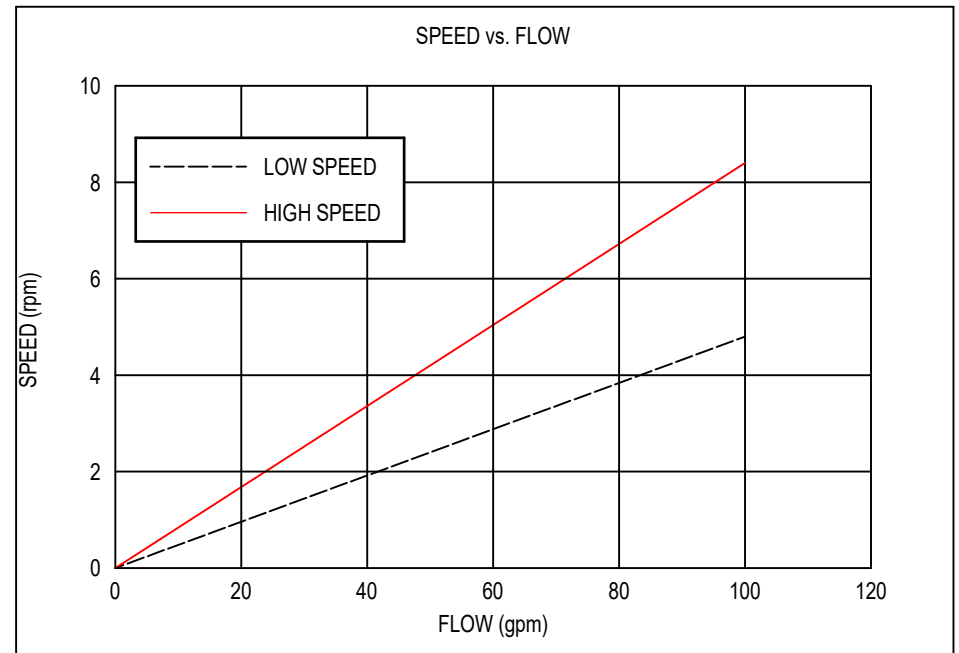
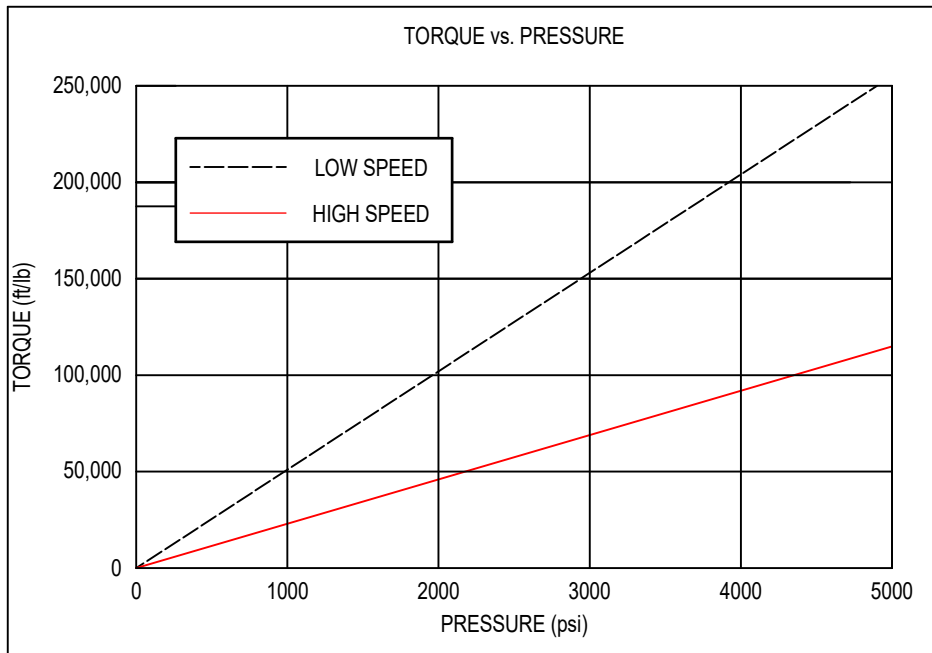
DH250 SERIES DRIVE HEAD

250,000 ft-lb (339,000 N-m) Maximum
Typical Applications: Utility and Construction Industries

(913) 782-1238 (Tel)
(913) 782-4206 (Fax)
Sales@Eskridgeinc.com
www.Eskridgeinc.com
FORM: PSDH250-BC

Page 3 of 3

Torque and Speed Charts:



NOTES:

- * Starting torques are approximately 25% less than running torque.
- * Torque and speed charts are based on analytical calculations that use average gearbox and motor efficiencies.
- * System back pressure will reduce running torque proportionally.
- * Consult Eskridge Representative for Torque and Speed Charts for your specific application.

ESKRIDGE, INC. EXPRESSLY DISCLAIMS ANY IMPLIED WARRANTY OF MERCHANTABILITY OR FITNESS FOR ANY PARTICULAR PURPOSE FOR THE PRODUCTS SHOWN HEREIN.

Any claims based on or related to the products shown herein will be satisfied only by repair or replacement in Eskridge, Inc.'s sole discretion to the extent covered by Eskridge's Product Warranty. Eskridge, Inc. is not liable for incidental or consequential damage of any kind or nature that relate in any way to the products shown herein. For complete warranty information, please refer to Eskridge, Inc.'s Product Warranty that applies to the products shown herein and is incorporated by this reference as if fully set forth. A copy of Eskridge, Inc.'s Product Warranty can be obtained by writing Eskridge, Inc. at P.O. Box 875, 1900 Kansas City Road, Olathe, Kansas 66061