

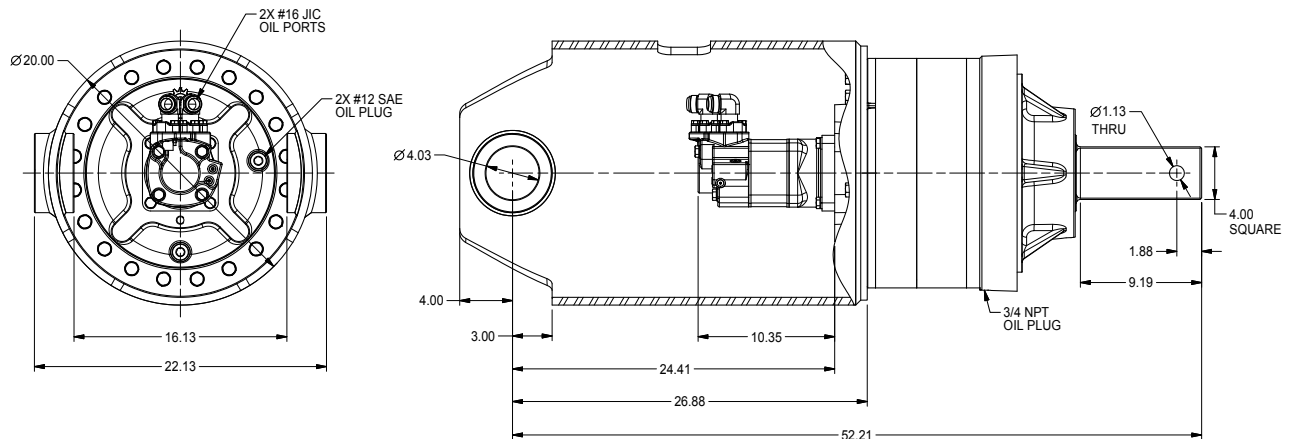


D440 Series DiggerDrive

30,000 FT-LB TORQUE

Data Sheet PSD440QD 4 13

Series D440 heavy-duty planetary digger drive is ideal for construction, anchor setting, and the utility digger markets. This digger is available in a single ratio and can be purchased with or without a motor. Eskridge has over 25 years of experience in the manufacture of DiggerDrives™.



HEAVY DUTY, HIGH EFFICIENCY, DOUBLE PLANETARY DRIVE
SHAFT SIDE LOADING NOT RECOMMENDED.

TECHNICAL SPECIFICATIONS

MOTOR MOUNT: SAE "C" 2- & 4-BOLT
MOTOR OPTION: SINGLE SPEED GEAR TYPE
OPTIONAL MOTOR PART NUMBER: 01-304-1020
MOTOR RECOMMENDATIONS: 3000 PSI AND 40 GPM
RATED OUTPUT TORQUES: TO 30,000 ft-lb (40,675 N-m)
MAXIMUM SYSTEM PRESSURE: 3,000 psi (207 bar)
OUTPUT SHAFT: 4 in (101.6 mm) SQUARE
SHAFT PULL-OUT: 30,000 lb (27,240 kg)
PRESSURE LOAD: 45,000 lb (22,700 kg)
OIL CAPACITY: 2.75 gal (10.4 L)
BAIL BOSS DIAMETER: 4.02 in (102.1 mm)
WEIGHT: 1,125 lb (510 kg) WITH MOTOR, 1,025 lb (465 kg) WITHOUT MOTOR

For more information regarding Planetary Diggerdrives and other innovative products, feel free to contact us at:



1900 Kansas City Road • Olathe, Kansas 66061 • USA

PHONE: (913) 782-1238 • FAX: (913) 782-4206

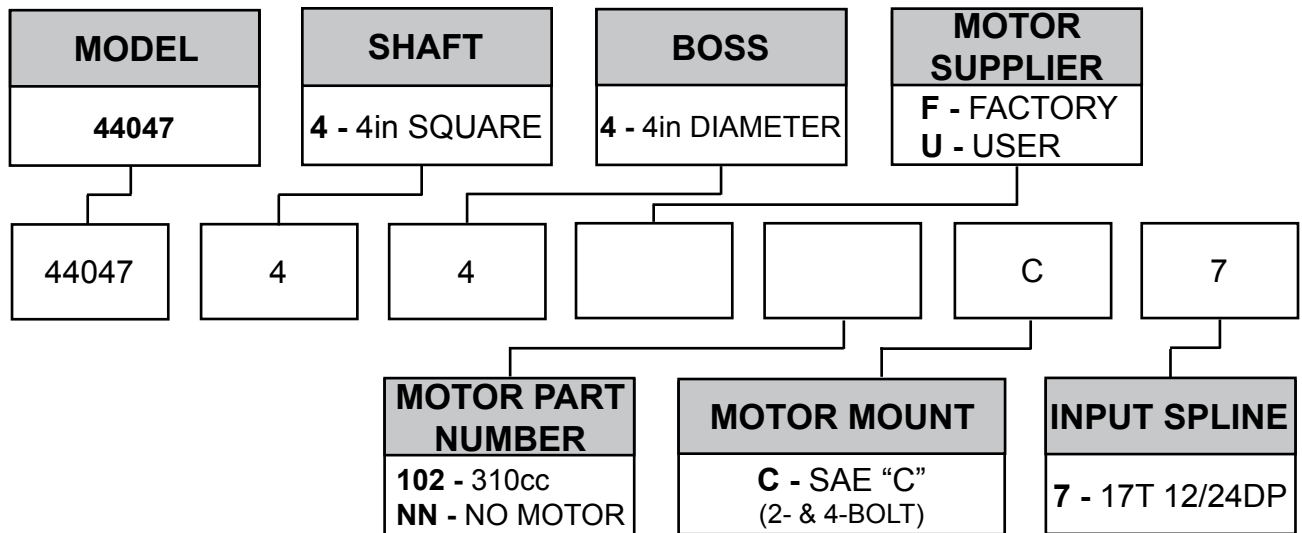
WEBSITE: www.eskridgeinc.com • E-MAIL: sales@eskridgeinc.com

Technical Data

MODEL	GEAR RATIO	MOTOR CODE	MOTOR PRESSURE	FLOW	RATED TORQUE / SPEED	
44047	46.95:1	102	3,000 psi (207 bar)	40 gpm (152 l/min)	30,000 ft-lb (40,675 N-m)	9 rpm

*MAXIMUM INTERMITTENT VALUE.

- STARTING TORQUES ARE APPROXIMATELY 25% LESS THAN RUNNING TORQUE.
- SYSTEM BACK PRESSURE WILL REDUCE THE RUNNING TORQUES PROPORTIONALLY.
- BACK PRESSURE SHOULD BE LIMITED TO 100 psi (6,9 bar).
- HIGH ALLOY HEAT TREATED BAIL BOSS PINS REQUIRED (CUSTOMER PROVIDED).



IMPORTANT INFORMATION...

ESKRIDGE, INC. EXPRESSLY DISCLAIMS ANY IMPLIED WARRANTY OF MERCHANTABILITY OR FITNESS FOR ANY PARTICULAR PURPOSE FOR THE PRODUCTS SHOWN HEREIN.

Any claims based on or related to the products shown herein will be satisfied only by repair or replacement in Eskridge, Inc.'s sole discretion to the extent covered by Eskridge's Product Warranty. Eskridge, Inc. is not liable for incidental or consequential damage of any kind or nature that relate in any way to the products shown herein. For complete warranty information, please refer to Eskridge, Inc.'s Product Warranty that applies to the products shown herein and is incorporated by this reference as if fully set forth. A copy of Eskridge, Inc.'s Product Warranty can be obtained by writing Eskridge, Inc. at P.O. Box 875, 1900 Kansas City Road, Olathe, Kansas 66061