

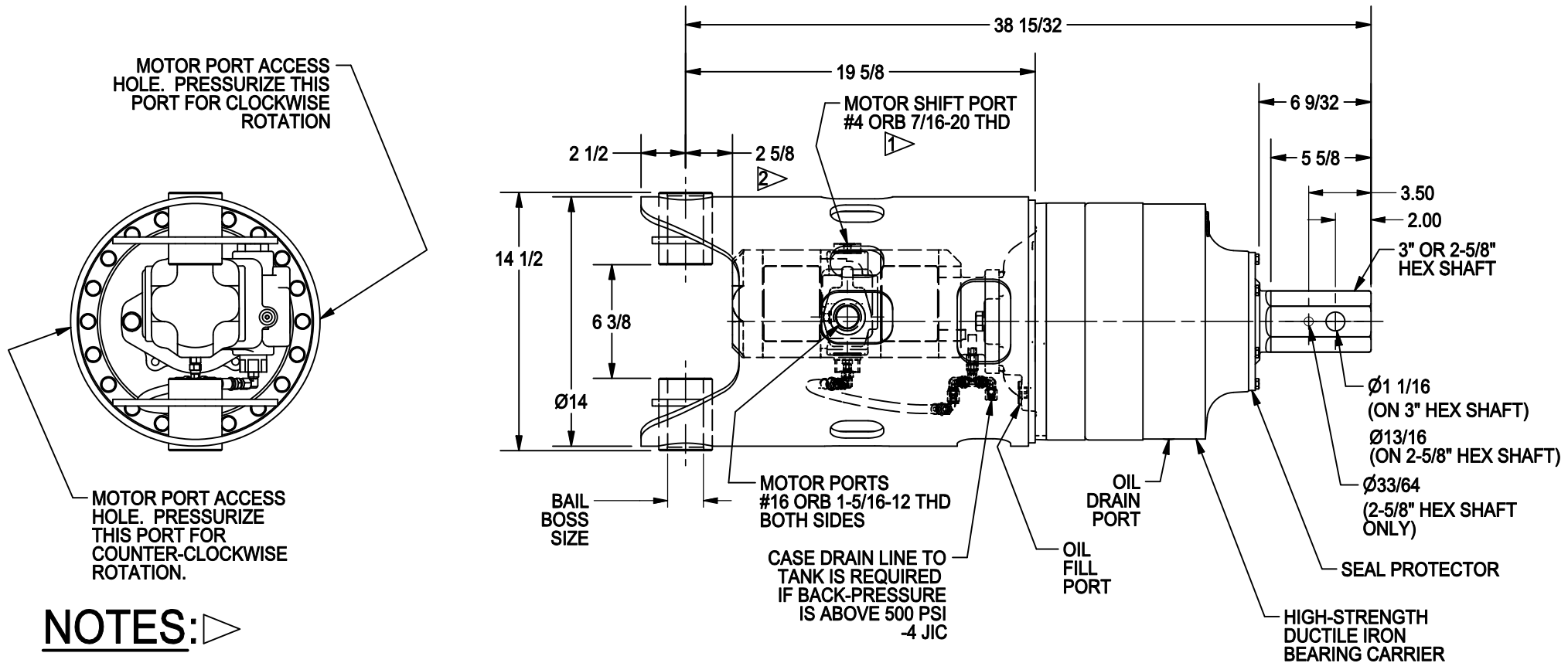


75 SERIES DRIVE HEAD

20,000 ft-lb, Shift-on-the Fly 2-speed, 2750 psi.
 Typical Applications: Utility and Construction

(913) 782-1238 (Tel)
 (913) 782-4206 (Fax)
Sales@Eskridgeinc.com
www.Eskridgeinc.com
 FORM: PS75-AB

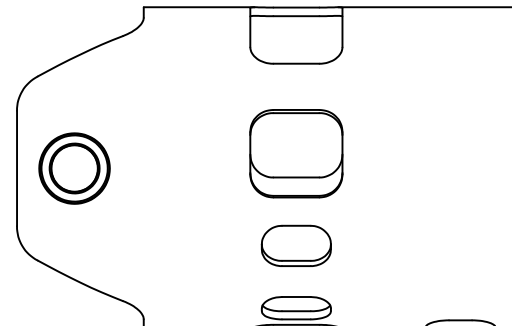
Page 1 of 3



NOTES: ▷

- 1 WITH NO PRESSURE TO SHIFT PORT, THE MOTOR OPERATES IN HIGH-SPEED, LOW-TORQUE MODE. TO SHIFT THE DRIVE HEAD TO LOW-SPEED, HIGH TORQUE MODE, APPLY A PRESSURE OF 300 PSI (MINIMUM), 2,750 PSI (MAXIMUM) TO THE SHIFT PORT. PRESSURE MUST BE MAINTAINED TO KEEP DRIVE HEAD IN LOW-SPEED, HIGH-TORQUE. MOTOR MAY BE SHIFTED TO HIGH-SPEED OR LOW-SPEED WHILE TURNING OR WHILE STOPPED. MOTORS ARE AVAILABLE WHICH OPERATE NORMALLY IN LOW-SPEED, HIGH-TORQUE MODE AND ARE SHIFTED TO HIGH-SPEED, LOW-TORQUE MODE; CONSULT ESKRIDGE SALES FOR DETAILS.
- 2 SUBJECT TO CHANGE WITH DIFFERENT MOTORS.
- 3 VALUES ARE SHOWN IN INCHES.

SHOWN ABOVE WITH "ROTATED BAIL".
 "STANDARD BAIL" SHOWN BELOW.





75 SERIES DRIVE HEAD

20,000 ft-lb, Shift-on-the Fly 2-speed, 2750 psi.
 Typical Applications: Utility and Construction

(913) 782-1238 (Tel)
 (913) 782-4206 (Fax)
Sales@Eskridgeinc.com
www.Eskridgeinc.com
 FORM: PS75-AB

Page 2 of 3

Performance Ratings

Maximum Intermittent Output Torque: 20,000 ft-lb (27,116 N-m)
 Shaft Pressure Load: 30,000 lb (13,600 kg)
 Shaft Pullout Load: 30,000 lb (13,600 kg)
 *Shaft Side loading Not Recommended
 Maximum Input Speed: 3,000 rpm
 Maximum Operating Ambient Temperature: 110°F (43°C)
 Minimum Operating Ambient Temperature: -20°F (-28°C)

Consult your Eskridge representative to determine ratings for your specific application or configuration

Oil Capacities

7551
10 PINTS 4.7 LITERS

ALL UNITS WITH MOTORS SHIPPED WITH OIL
 Use EP or API GL-5 Designated Lubricants

Motor Mount Dimensions

PILOT DIMENSIONS	BOLT CIRCLE
SAE 'C' Ø5.001/5.004	2X 5/8-11 UNC-2B ∇1 ON Ø7.125 B.C.

Motor Specifications:

2-Speed & Single Speed Hydraulic Gear Motors
 Maximum System Pressure: 2750 psi (190 bar)
 Max allowable pressure depends on motor selected.
 See performance chart for allowable pressure for each motor.
 For manual, cab mounted shifting ask about our shifter valve, 01-308-0130.
 Motors are internally drained and generally don't require a case drain. If backpressure exceeds 500 psi a case drain is required.

Approximate Unit Weight

With Motor: 500 lb (227 kg)

Ordering Information

Example Part Number: 7551-32F61R

MODEL	OUTPUT SHAFT	BAIL BOSS	MOTOR SUPPLIER	MOTOR PART NUMBER	OPTIONS
7551	3 6- 2 5/8" HEX 3- 3" HEX	2 5- Ø1 1/2" 2- Ø2"	F F- FACTORY U- USER	61 60- 18,000 ft-lb LSHT 4,300 ft-lb HSLT 61- 20,000 ft-lb LSHT 8,300 ft-lb HSLT	R R- ROTATED BAIL (90°) FOR BACKHOE AND EXCAVATOR USE

** SEE PERFORMANCE CHART



75 SERIES DRIVE HEAD

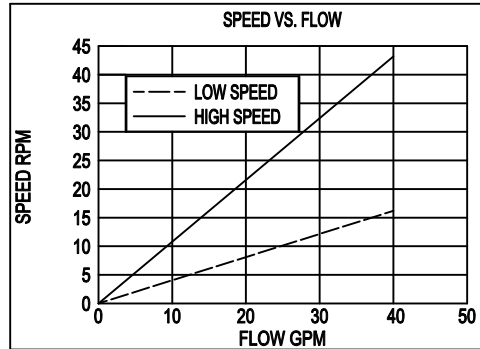
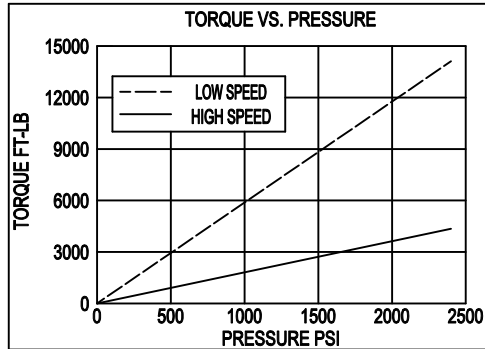
20,000 ft-lb, Shift-on-the Fly 2-speed, 2750 psi.
Typical Applications: Utility and Construction

(913) 782-1238 (Tel)
(913) 782-4206 (Fax)
Sales@Eskridgeinc.com
www.Eskridgeinc.com
FORM: PS75-AB

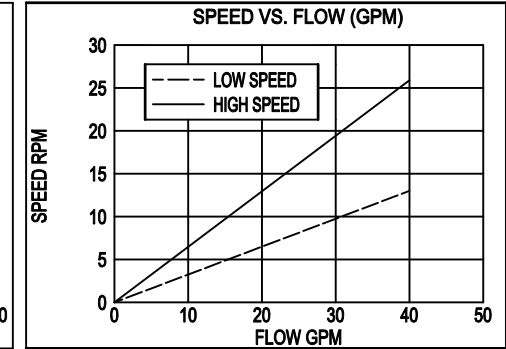
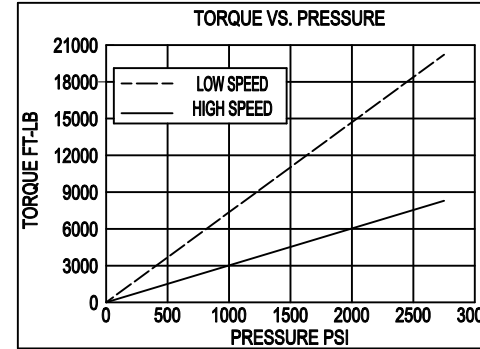
Page 3 of 3

Torque and Speed Charts:

7551 With 60 Normally High-Speed Motor



7551 With 61 Normally High Speed Motor



- * Starting torques are approximately 25% less than running torque.
- * System back pressure will reduce running torque proportionally.
- * Consult Eskridge Representative for Torque and Speed Charts for your specific application.
- * Torque and Speed Charts are based on analytical calculations that use average gearbox and motor efficiencies.

ESKRIDGE, INC. EXPRESSLY DISCLAIMS ANY IMPLIED WARRANTY OF MERCHANTABILITY OR FITNESS FOR ANY PARTICULAR PURPOSE FOR THE PRODUCTS SHOWN HEREIN.

Any claims based on or related to the products shown herein will be satisfied only by repair or replacement in Eskridge, Inc.'s sole discretion to the extent covered by Eskridge's Product Warranty. Eskridge, Inc. is not liable for incidental or consequential damage of any kind or nature that relate in any way to the products shown herein. For complete warranty information, please refer to Eskridge, Inc.'s Product Warranty that applies to the products shown herein and is incorporated by this reference as if fully set forth. A copy of Eskridge, Inc.'s Product Warranty can be obtained by writing Eskridge, Inc. at P.O. Box 875, 1900 Kansas City Road, Olathe, Kansas 66061