



160 GEAR DRIVE - SPINDLE OUTPUT

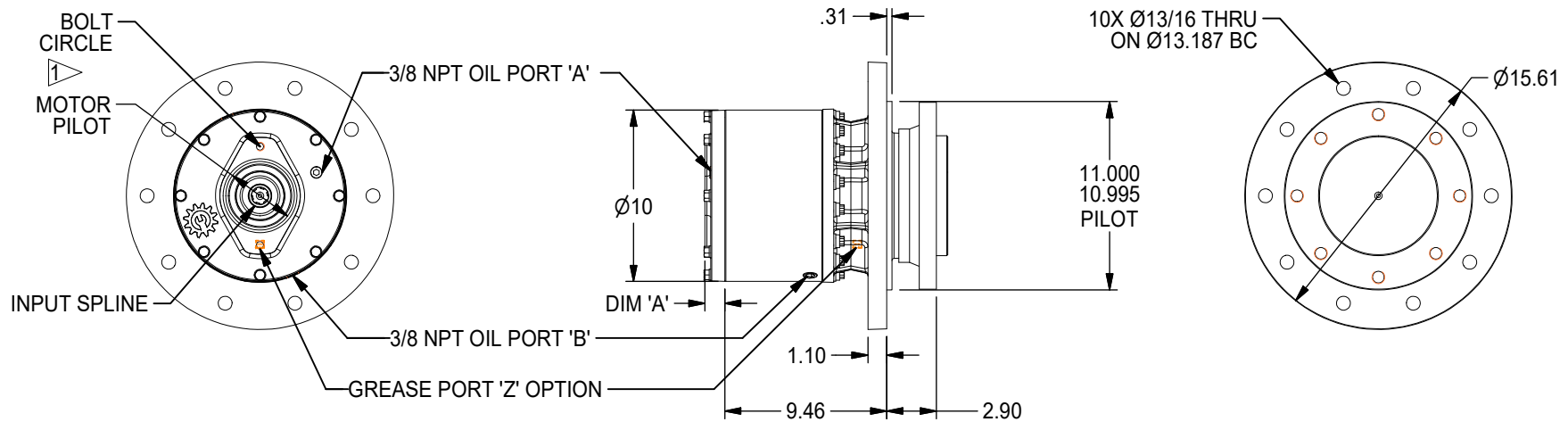
160,000 in-lb (18,078 N-m) Intermittent Rating 80,000 in-lb (9,039 N-m) Continuous Rating

Typical Applications: Industrial, Marine or Mobile Equipment

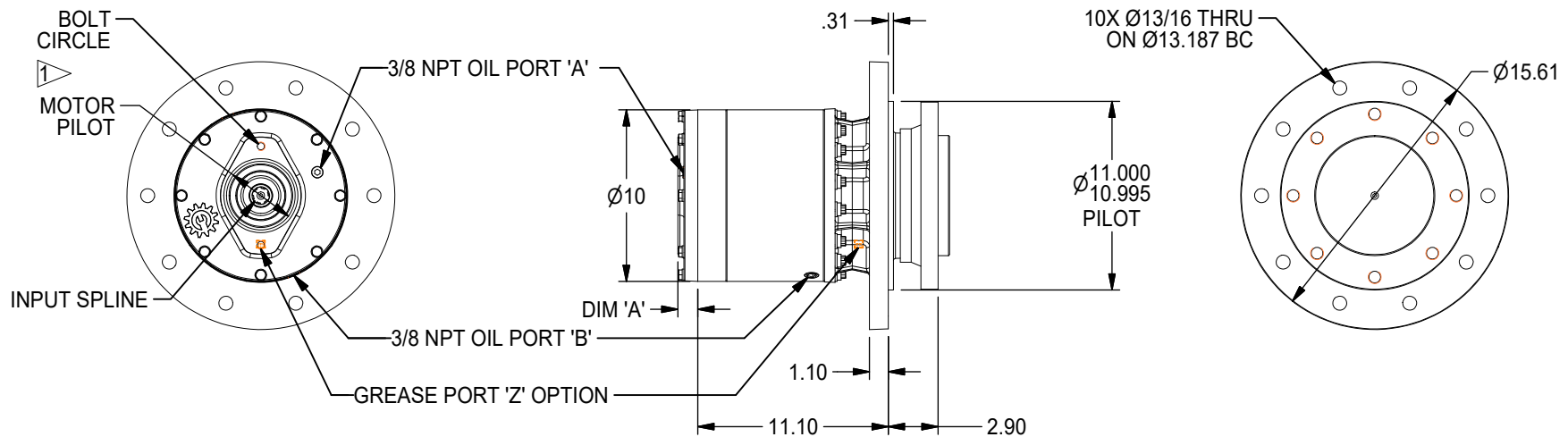
(913) 782-1238 (Tel)
(913) 782-4206 (Fax)
Sales@Eskridgeinc.com
www.Eskridgeinc.com
FORM: PS160SL-AA

SHEET 1 OF 4

160 1&2-Stage General Dimensions Flanged 'A' Option



160 3-Stage General Dimensions Flanged 'A' Option



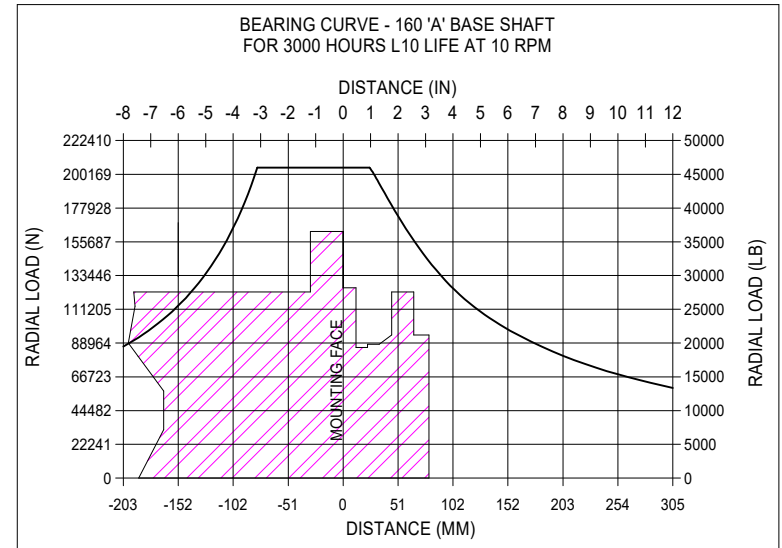
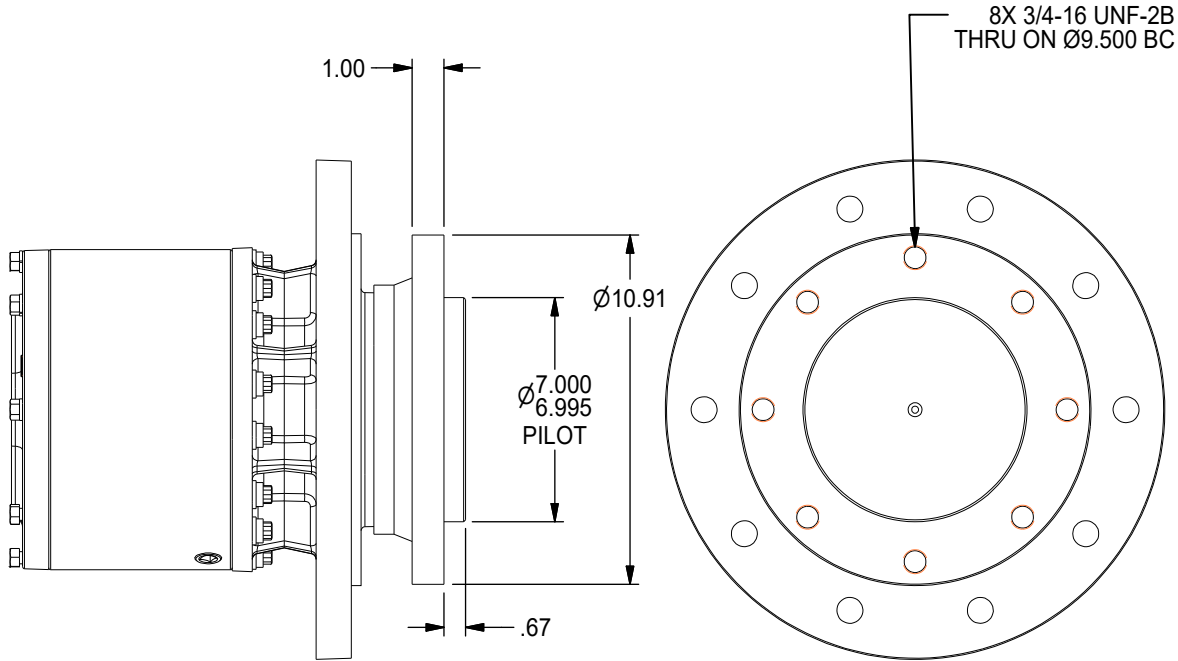


160 GEAR DRIVE - SPINDLE OUTPUT

160,000 in-lb (18,078 N-m) Intermittent Rating 80,000 in-lb (9,039 N-m) Continuous Rating

Typical Applications: Industrial, Marine or Mobile Equipment

(913) 782-1238 (Tel)
 (913) 782-4206 (Fax)
Sales@Eskridgeinc.com
www.Eskridgeinc.com
 FORM: PS160SL-AA



To adjust for loads and speeds other than those shown on above curve, use this formula:

$$\text{Adjusted Life (hours)} = 3000 \left(\frac{10 \text{ rpm}}{\text{Speed (Adjusted)}} \right) \times \left(\frac{\text{Load (Curve)}}{\text{Load (Adjusted)}} \right)^{10/3}$$



160 GEAR DRIVE - SPINDLE OUTPUT

160,000 in-lb (18,078 N-m) Intermittent Rating 80,000 in-lb (9,039 N-m) Continuous Rating

Typical Applications: Industrial, Marine or Mobile Equipment

(913) 782-1238 (Tel)
 (913) 782-4206 (Fax)
Sales@Eskridgeinc.com
www.Eskridgeinc.com
 FORM: PS160SL-AA

Performance Ratings

Maximum Intermittent Output Torque:	160,000 in-lb (18,078 N-m)
Continuous Output Torque:	80,000 in-lb (9,039 N-m)
Maximum Input Speed:	3,000 RPM
Maximum Operating Ambient Temperature:	110° F (43° C)
Minimum Operating Ambient Temperature:	-20° F (-28° C)

*Above ratings are general, mechanical ratings, not thermal ratings.
 Continuous duty may require additional cooling.
 Consult your Eskridge representative to determine ratings for your specific application or configuration.*

Motor Mount Dimensions

PILOT DIMENSIONS BOLT CIRCLE

*SAE 'A' Ø3.251/3.253	4X 1/2-13 UNC-2B ∇5/8 ON Ø4.188 B.C.
*SAE 'B' Ø4.001/4.005	2X 1/2-13 UNC-2B ∇.50 ON Ø5.750 B.C.
SAE 'C' Ø5.001/5.004	4X 1/2-13 UNC-2B ∇1 ON Ø6.375 B.C. 2X 5/8-11 UNC-2B ∇1 ON Ø7.125 B.C.
SAE 'D' Ø6.000/6.004	4X 3/4-10 UNC-2B ∇1 ON Ø9.000 BC



Oil Capacities

Position	Quantity		
	Single Planetary	Double Planetary	Triple Planetary
Vertical Shaft Down	5.0 pts Fill to: 1.5" From Port 'A'	5.0 pts Fill to: 1.5" From Port 'A'	6.9 pts Fill to: 1.5" From Port 'A'
Vertical Shaft Up	5.0 pts Fill to: Port 'B'	5.0 pts Fill to: Port 'B'	6.9 pts Fill to: Port 'B'
Horizontal	3.0 pts Fill to: Port 'A'	3.0 pts Fill to: Port 'A'	4.1 pts Fill to: Port 'A'

Units shipped without oil
 Use EP or API GL5 Designated Lubricants

Dimension 'A' Specifications

Input Spline Code	Ratio	Standard Input Mounting			
		SAE 'A'	SAE 'B'	SAE 'C'	SAE 'D'
2,3,5	4, 5, 19, 24, 26, 32	1.22	1.17	1.47	-
4	4, 5, 19, 24	1.47	1.47	1.47	-
4	26, 32	2.72	2.27	2.72	-
7, 9	4, 5	-	-	-	1.69

NOTES: ▷

- SPECIFICATIONS CALLED OUT IN MOTOR MOUNT DIMENSIONS SECTION.
- VALUES ARE SHOWN IN INCHES
- OUTPUT SHAFT ROTATION SAME AS INPUT ROTATION.
- ONLY AVAILABLE WITH SINGLE STAGE GEAR BOXES.
- AVAILABLE WITH METAL FACE SEAL.

Approximate Unit Weight (lbs)

Gear Drive Mounting	Stages		
	Single Planetary	Double Planetary	Triple Planetary
A	191	202	219
C	Consult Eskridge		



160 GEAR DRIVE - SPINDLE OUTPUT

160,000 in-lb (18,078 N-m) Intermittent Rating 80,000 in-lb (9,039 N-m) Continuous Rating

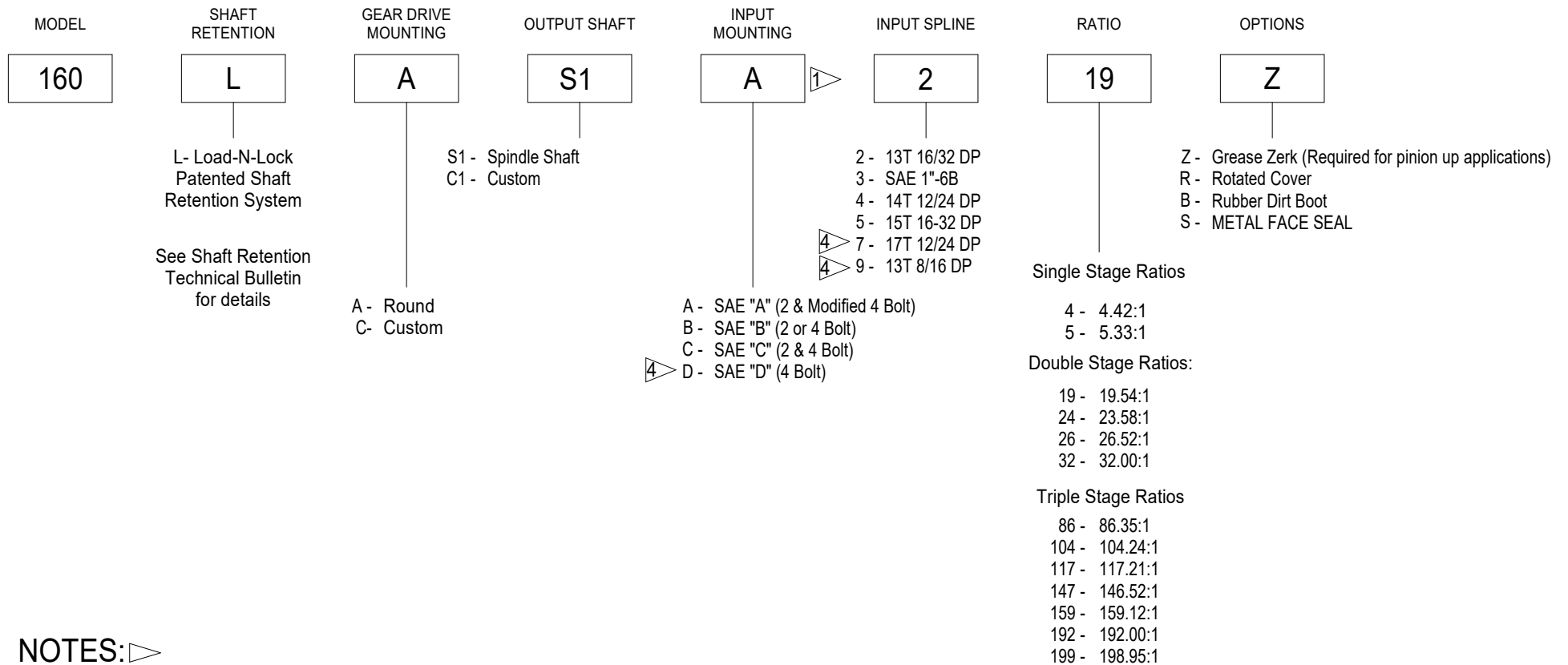
Typical Applications: Industrial, Marine or Mobile Equipment

(913) 782-1238 (Tel)
 (913) 782-4206 (Fax)
Sales@Eskridgeinc.com
www.Eskridgeinc.com
 FORM: PS160SL-AA

SHEET 4 OF 4

Ordering Information

Example Part Number: 160LAS1A2-19-Z



NOTES:

1. SPECIFICATIONS CALLED OUT IN MOTOR MOUNT DIMENSIONS SECTION.
2. VALUES ARE SHOWN IN INCHES
3. OUTPUT SHAFT ROTATION SAME AS INPUT ROTATION.
4. ONLY AVAILABLE WITH SINGLE STAGE GEAR BOXES.
5. AVAILABLE WITH METAL FACE SEAL.