

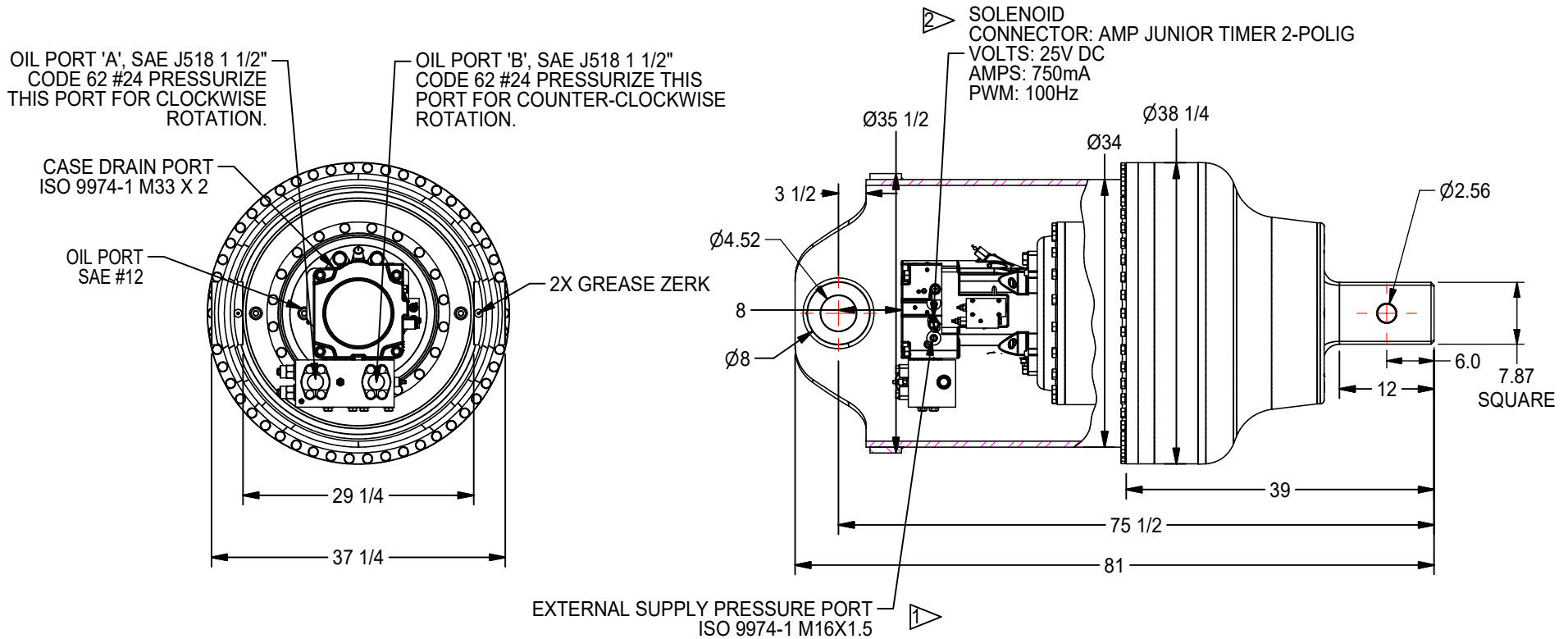


DH375 SERIES DRIVE HEAD

375,000 ft-lb (508,000 N-m) Maximum
 Typical Applications: Utility and Construction Industries

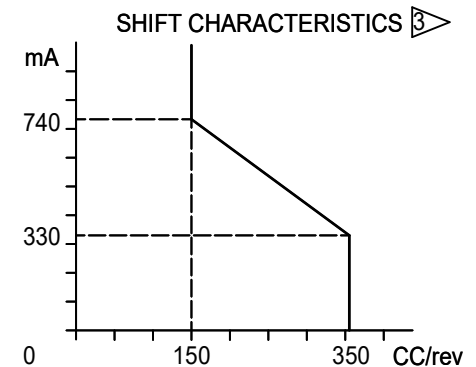
(913) 782-1238 (Tel)
 (913) 782-4206 (Fax)
Sales@Eskridgeinc.com
www.Eskridgeinc.com
 FORM: PSDH375-BC

Page 1 of 3



NOTES: ▷

1. A 300-700 PSI CHARGE PRESSURE IS REQUIRED FOR THE HYDRAULIC MOTOR TO SHIFT INTO MIN DISPLACEMENT.
2. MOTOR DEFAULTS TO MAXIMUM DISPLACEMENT. ACTIVATE SOLENOID FOR MINIMUM DISPLACEMENT.
 WHEN MOTOR REACHES 5000 PSI AT MINIMUM DISPLACEMENT THE DISPLACEMENT WILL INCREASE AT A CONSTANT 5000 PSI UNTIL MAXIMUM DISPLACEMENT IS REACHED.
3. 750 mA IS REQUIRED TO ACHIEVE MINIMUM DISPLACEMENT.
4. VALUES ARE SHOWN IN INCHES.





DH375 SERIES DRIVE HEAD

375,000 ft-lb (508,000 N-m) Maximum
Typical Applications: Utility and Construction Industries

(913) 782-1238 (Tel)
(913) 782-4206 (Fax)
Sales@Eskridgeinc.com
www.Eskridgeinc.com
FORM: PSDH375-BC

Page 2 of 3

Performance Ratings

Maximum Intermittent Output Torque: 375,000 ft-lb (508,000 N-m)
Shaft Pressure Load: 275,000 lb (124,740 Kg)
Shaft Pullout Load: 275,000 lb (124,740 Kg)
*Shaft Side loading Not Recommended
Maximum Input Speed: 4,000 RPM
Maximum Operating Ambient Temperature: 110°F (43°C)
Minimum Operating Ambient Temperature: -20°F (-28°C)

Consult your Eskridge representative to determine ratings for your specific application or configuration

Oil Capacities

| |
|--------------|
| DH375 |
| 27.5 GALLONS |
| 104 LITERS |

ALL UNITS WITH MOTORS SHIPPED WITH OIL
Use EP or API GL-5 Designated Lubricants

Motor Mount Dimensions

| PILOT DIMENSIONS | BOLT CIRCLE |
|--------------------|---|
| Ø9.844/9.849 ▽.500 | 4X M23X3-6H ▽1.0 ON A 13.858 X 4.724 RECTANGLE |

Motor Specifications:

Type: Two Speed Axial Piston Motor
Displacement: 355 CC Maximum, 150 CC Minimum
Maximum Pressure: 4700 PSIG (324 Bar)
Maximum High Speed Flow: 130 GPM (490 LPM)
Maximum Low Speed Flow: 225 GPM (850 LPM)
Motor Case Drain Required
Before Operation the Motor Must be Filled with Hydraulic Oil.
Speed Control: Electro-Hydraulic Solenoid (Energized High Speed)
Safety Control: Anti-Spin Back and Pressure Protection System

Approximate Unit Weight

With Motor: 7,100 lb (3220 kg)

Ordering Information

Example Part Number: 375334-85F104BP

| MODEL | OUTPUT SHAFT | BAIL BOSS | MOTOR SUPPLIER | MOTOR PART NUMBER | OPTIONS |
|---------------------------------------|--------------------------------|--------------------------------|--------------------------------|----------------------------------|---------------------------------|
| <input type="text" value="375334"/> — | <input type="text" value="8"/> | <input type="text" value="5"/> | <input type="text" value="F"/> | <input type="text" value="104"/> | <input type="text" value="BP"/> |
| 375 334:1 GEAR RATIO | 8- 7.87" SQUARE | 5- Ø4 1/2 | F- FACTORY U- USER | 104- 355CC | BP- Back Spin Protection |



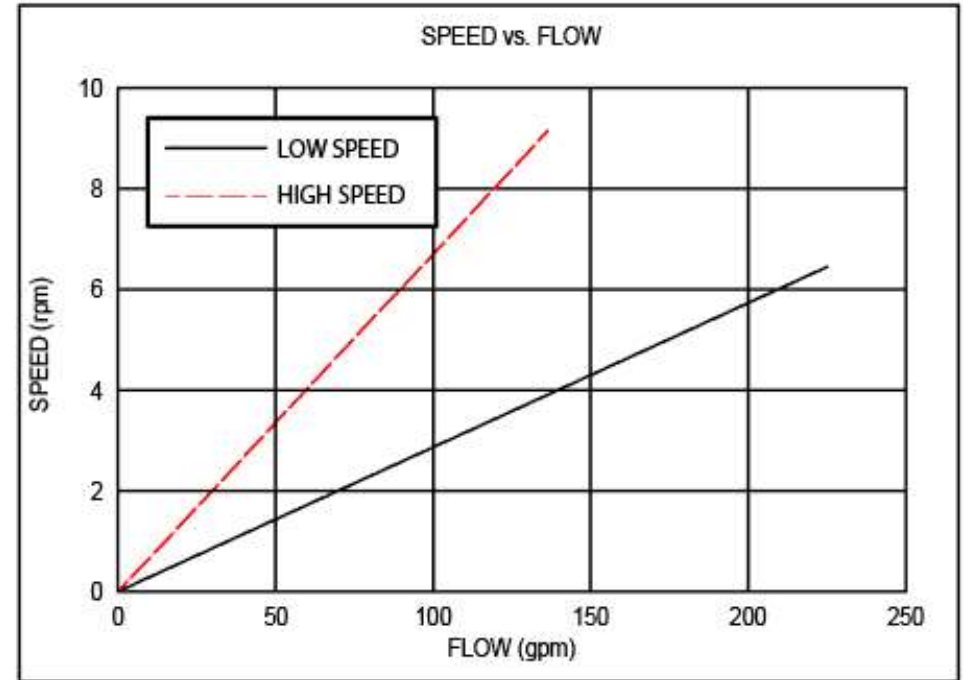
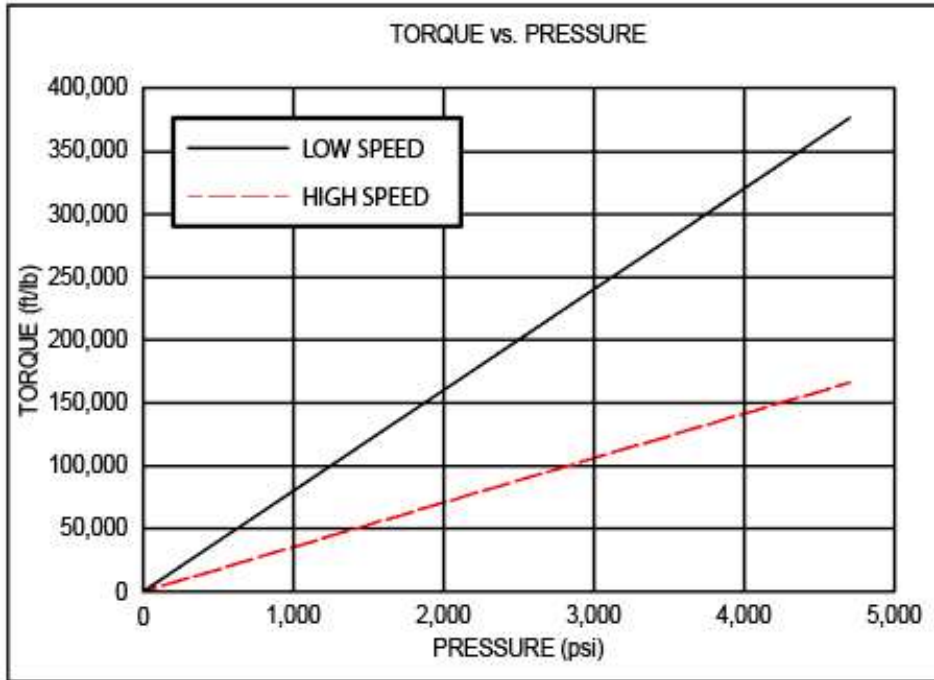
DH375 SERIES DRIVE HEAD

375,000 ft-lb (508,000 N-m) Maximum
Typical Applications: Utility and Construction Industries

(913) 782-1238 (Tel)
(913) 782-4206 (Fax)
Sales@Eskridgeinc.com
www.Eskridgeinc.com
FORM: PSDH375-BC

Page 3 of 3

Torque and Speed Charts:



NOTES:

- * Starting torques are approximately 25% less than running torque.
- * Torque and speed charts are based on analytical calculations that use average gearbox and motor efficiencies.
- * System back pressure will reduce running torque proportionally.
- * Consult Eskridge Representative for Torque and Speed Charts for your specific application.

ESKRIDGE, INC. EXPRESSLY DISCLAIMS ANY IMPLIED WARRANTY OF MERCHANTABILITY OR FITNESS FOR ANY PARTICULAR PURPOSE FOR THE PRODUCTS SHOWN HEREIN.

Any claims based on or related to the products shown herein will be satisfied only by repair or replacement in Eskridge, Inc.'s sole discretion to the extent covered by Eskridge's Product Warranty. Eskridge, Inc. is not liable for incidental or consequential damage of any kind or nature that relate in any way to the products shown herein. For complete warranty information, please refer to Eskridge, Inc.'s Product Warranty that applies to the products shown herein and is incorporated by this reference as if fully set forth. A copy of Eskridge, Inc.'s Product Warranty can be obtained by writing Eskridge, Inc. at P.O. Box 875, 1900 Kansas City Road, Olathe, Kansas 66061